

BOWL CUTTERS



MODEL K30

Bowl cutting produces as much as 15% higher finished product yield. Bowl cutting also allows the use of up to 30% more water and results in less shrinkage.

STANDARD

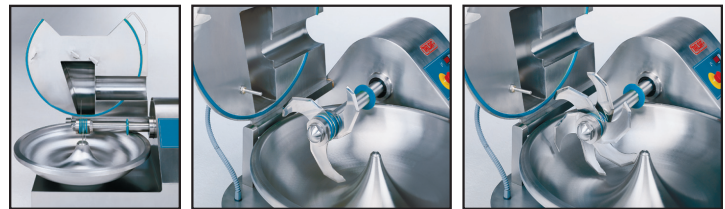
- Anti-noise lid.
- 3-knife head
- Digital thermometer
- 2 speed-variable speed control
- All stainless steel

OPTIONAL

- 6-knife head

SPECIFICATIONS

Model	K30
Bowl Volume	30 L / 8 gal
Mixture Bowl Capacity (approx.)	12 kg./26.4 lbs.
Total Horsepower	4.8/6.5 HP
Knife Speed	1700/3400 RPM
Bowl Speed	22/45 RPM
Electrical	220V/60/3
Weight	772 lbs.
Packaging Weight	891 lbs.
Dimensions (DWH)	36.6" x 40.5" x 44.5"
Packaging Dimensions	46" x 50" x 52"
Item #	10878

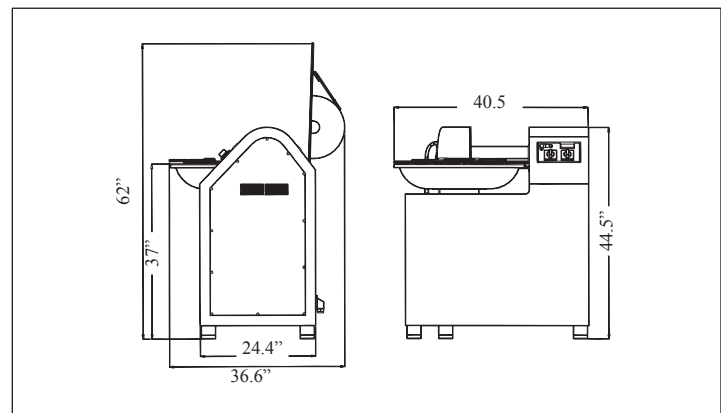


Front Lid

Standard

Optional

DIMENSIONS



Mississauga, Ontario, Canada

Niagara Falls, New York, USA

Tel: (905) 828-0234 Toll-Free: 1-800-465-0234 Fax: (905) 607-0234 Email: sales@omcan.com

www.omcan.com