



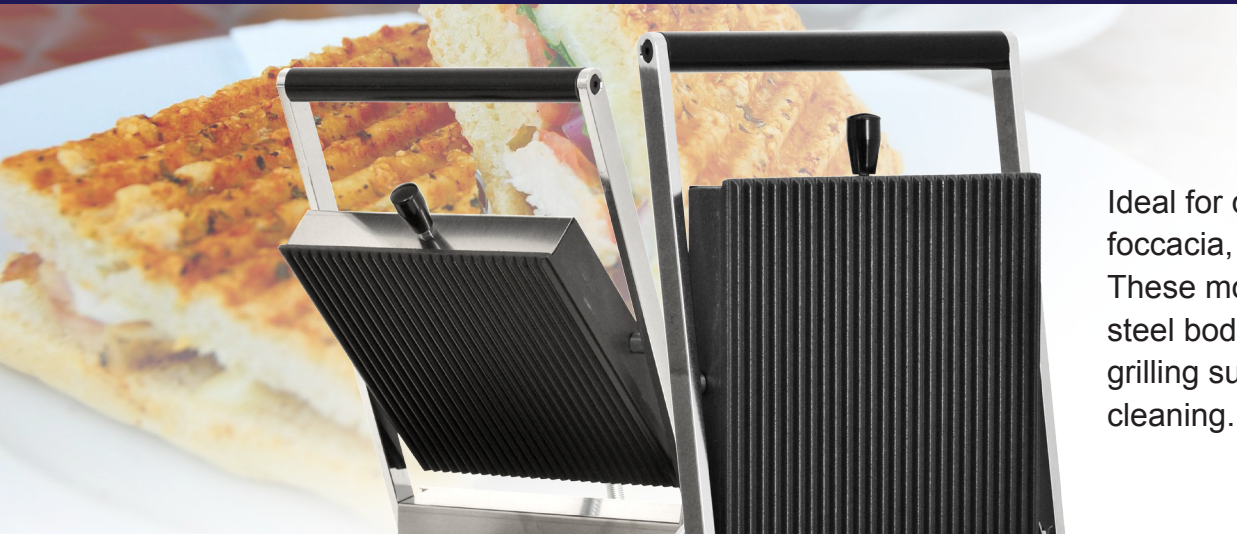
FOOD EQUIPMENT

SERVING THE FOOD INDUSTRY SINCE 1951

ELITE SERIES SINGLE PANINI GRILL - RIBBED TOP AND SMOOTH BOTTOM

Item: 11376

Model: PG-IT-0483



Ideal for quesadillas, panini, foccacia, and pita sandwiches. These model have stainless steel bodies with cast iron grilling surfaces for easy cleaning.



Authorized Dealer



LIMITED WARRANTY
PARTS AND LABOR



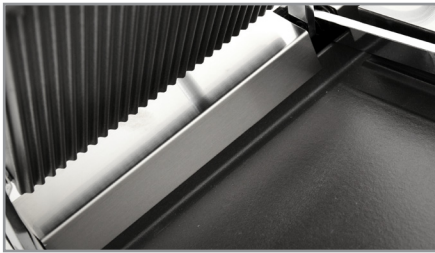
FOOD EQUIPMENT

ELITE SERIES SINGLE PANINI GRILL - RIBBED TOP AND SMOOTH BOTTOM



Main Component

- 1 Collecting Tray
- 2 Thermostat Control
- 3 Functioning Pilot Lamp
- 4 Non-slip Rubber Feet
- 5 Top: Ribbed Grill Plate
Bottom: Smooth Grill Plate



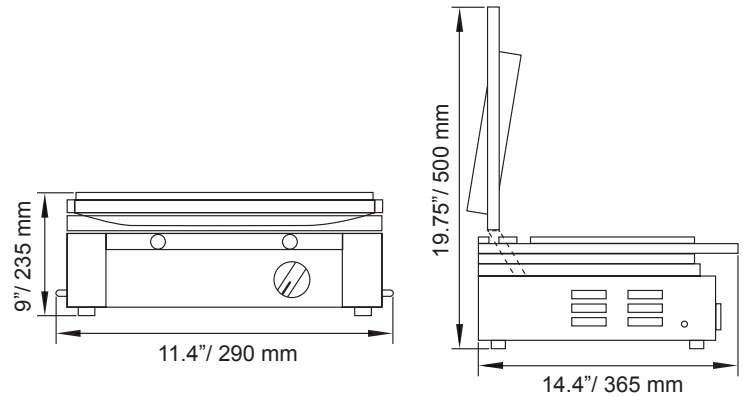
Accessory



Panini Grill Cleaning Brush

SINGLE PANINI GRILL WITH RIBBED TOP & SMOOTH BOTTOM GRILL PLATES

TECHNICAL DRAWING WITH DIMENSIONS



TECHNICAL SPECIFICATION

ITEM NUMBER	11376
MODEL	PG-IT-0483
GRILL SURFACE	10" x 9" / 254 x 228.6 mm
AMPS	15
THERMOSTAT CONTROL	120 - 570 °F / 50 - 300 ° C
POWER	1.7 kW
ELECTRIC	110V/60Hz/1
TOP GRILL	Ribbed
BOTTOM GRILL	Smooth
NET WEIGHT	35 lbs./ 16 kg.
GROSS WEIGHT	38 lbs./ 17 kg.

DIMENSIONS (WDH)

11.4" x 14.4" x 19.75"(Open) / 9"(Close)
290 x 365 x 500(Open) / 235(Close) mm



NEMA
5-20
125 VAC / 20 AMP



OMCAN INC.

Telephone: 1-800-465-0234
Fax: (905) 607-0234
Email: sales@omcan.com
Website: www.omcan.com



Follow us to keep up to date with the latest news and offers



2015.E.O.E