



MEAT SLICER



250F Gravity Meat Slicer

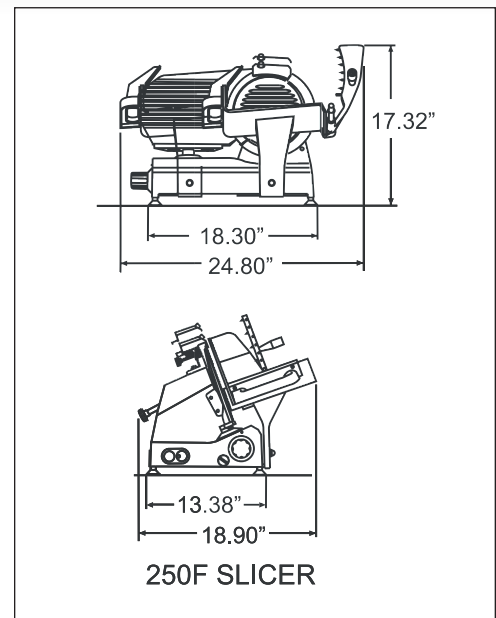
Our slicers have anodised aluminium alloy bodies. The high carbon steel blades are hard chromed, with a hollow ground taper for extended sharpening and blade life. These belt driven machines offer exceptional cutting consistency and durability.

The carriage moves smoothly on ball bearings allowing effortless cutting of deli meats and vegetables. Easy to disassemble for quick cleaning. Perfect for low volume operations.

Made in Italy.

Specifications

Model	250F
Blade Size	10"/250 mm
HP	0.35
RPM	300
Cutting Dimensions DxH	10.23" x 7.5"
Electrical	110V/60/1
Weight	55 lbs.
Packaging Weight	58 lbs.
Dimensions (DWH)	24.80" x 18.90" x 17.32"
Packaging Dimensions	25" x 21" x 20"
Item #	13621



Mississauga, Ontario, Canada

Niagara Falls, New York, USA

Tel: (905) 828-0234 Toll-Free: 1-800-465-0234 Fax: (905) 607-0234 Email: sales@omcan.com

www.omcan.com