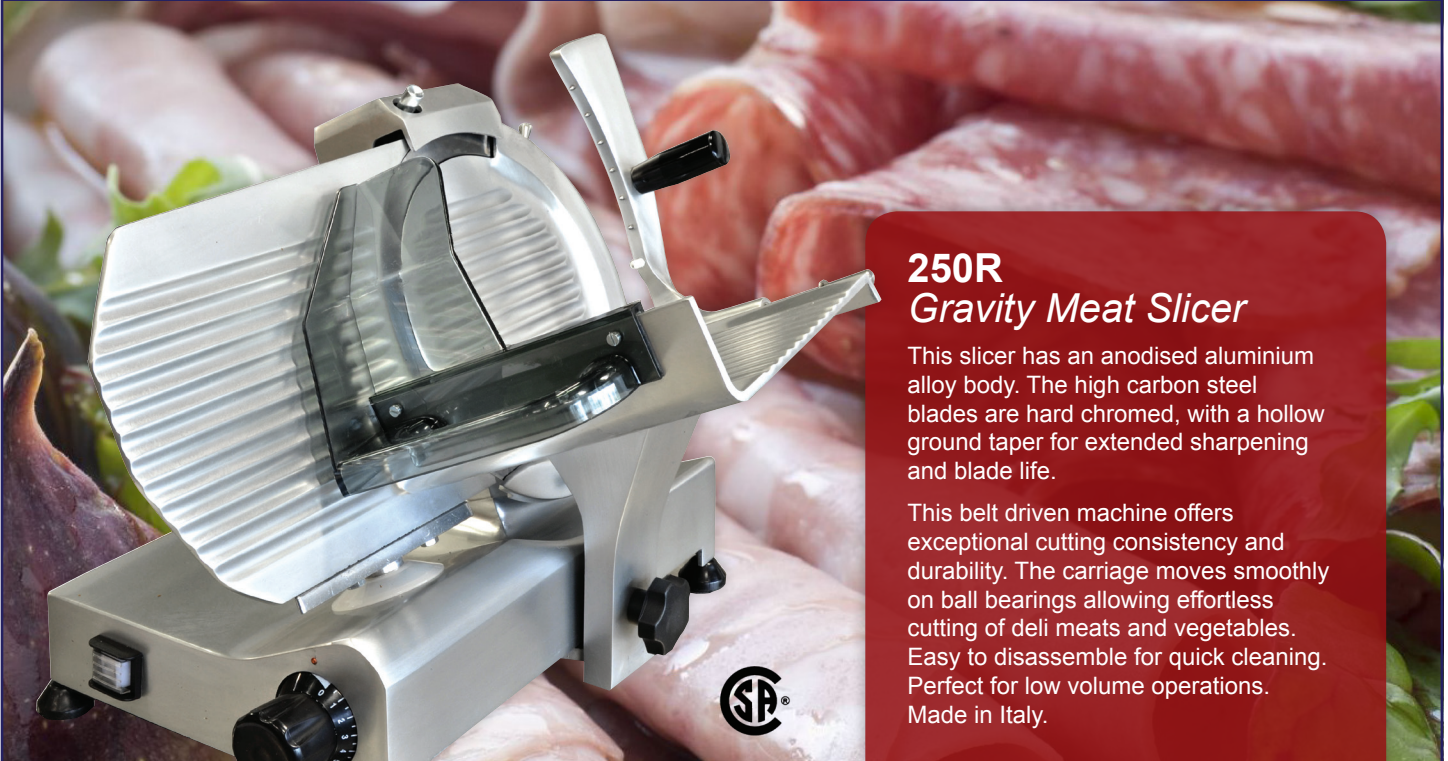




## MEAT SLICER



### 250R Gravity Meat Slicer

This slicer has an anodised aluminium alloy body. The high carbon steel blades are hard chromed, with a hollow ground taper for extended sharpening and blade life.

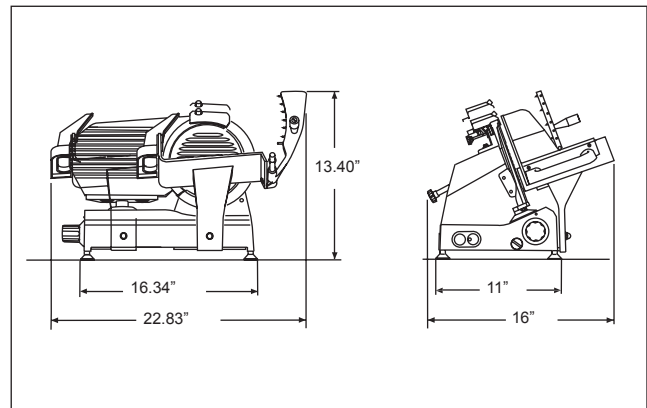
This belt driven machine offers exceptional cutting consistency and durability. The carriage moves smoothly on ball bearings allowing effortless cutting of deli meats and vegetables. Easy to disassemble for quick cleaning. Perfect for low volume operations. Made in Italy.



### Specifications

Model	250R
Blade Size	10"/250 mm
Horsepower	0.25
RPM	300
Cutting Area DxH	8.25" x 6.30"
Electrical	120V/60/1
Weight	30 lbs.
Packaging Weight	39 lbs.
Dimensions (DWH)	22.83" x 16" x 13.40"
Packaging Dimensions	22" x 18" x 18"
Item #	13623

### Dimensions



Mississauga, Ontario, Canada

Niagara Falls, New York, USA

Tel: (905) 828-0234 Toll-Free: 1-800-465-0234 Fax: (905) 607-0234 Email: sales@omcan.com

[www.omcan.com](http://www.omcan.com)