



POT SINKS



**DOUBLE
POT SINK**

- Comes with corner drain guards
- Stainless Steel: 304
- Gauge: 18
- Faucet holes are 8" on center.
- Shipped with legs removed.



Item	Item Description	Overall Dimensions (DWH)	Weight (lbs)
22113	18" x 18" x 11" Two tub sink with no drain board	41" x 23 1/2" x 44"	55
25250	18" x 18" x 11" Two tub sink with left drain board	56 1/2" x 23 1/2" x 44"	88
25251	18" x 18" x 11" Two tub sink with right drain board	56 1/2" x 23 1/2" x 44"	88
25252	18" x 18" x 11" Two tub sink with two drain boards	72" x 23 1/2" x 44"	97
22119	24" x 24" x 14" Two tub sink with no drain board	53" x 29 1/2" x 44"	80
25256	24" x 24" x 14" Two tub sink with left drain board	74 1/2" x 29 1/2" x 44"	106
25257	24" x 24" x 14" Two tub sink with right drain board	74 1/2" x 29 1/2" x 44"	106
25258	24" x 24" x 14" Two tub sink with two drain boards	96" x 29 1/2" x 44"	120
25266	18" x 21" x 14" Two tub sink with no drain board	41" x 26 1/2" x 44"	77
25267	18" x 21" x 14" Two tub sink with left drain board	56 1/2" x 26 1/2" x 44"	86
25268	18" x 21" x 14" Two tub sink with right drain board	56 1/2" x 26 1/2" x 44"	86
25269	18" x 21" x 14" Two tub sink with two drain boards	72" x 26 1/2" x 44"	95
21142	Stainless steel knockdown drain board for 18" x 18" sink		
21143	Stainless steel knockdown drain board for 24" x 24" sink		

Mississauga, Ontario, Canada

Niagara Falls, New York, USA

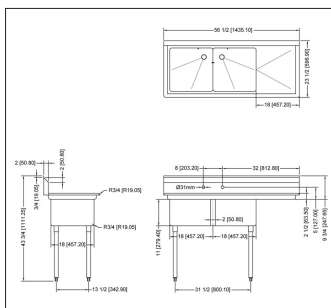
Tel: (905) 828-0234 Toll-Free: 1-800-465-0234 Fax: (905) 607-0234 Email: sales@omcan.com

www.omcan.com

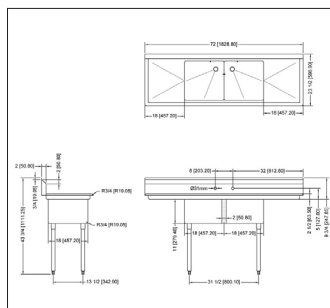
POT SINKS



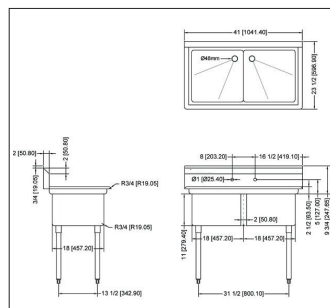
DIAGRAMS
18" x 18" x 11"



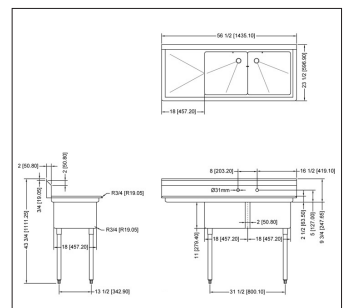
25251 right drain board



25252 two drain boards



22113 no drain board



25250 left drain board

Mississauga, Ontario, Canada

Niagara Falls, New York, USA

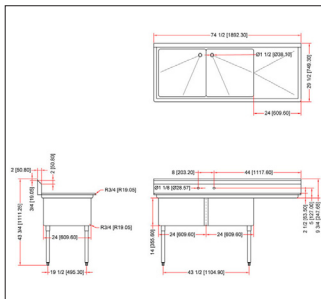
Tel: (905) 828-0234 Toll-Free: 1-800-465-0234 Fax: (905) 607-0234 Email: sales@omcan.com

www.omcan.com

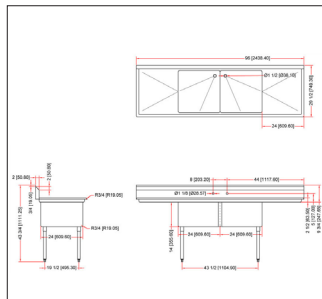
POT SINKS



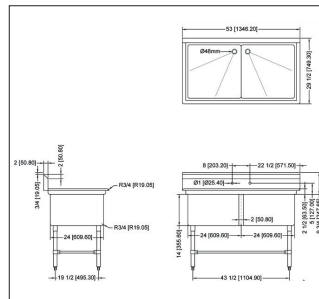
DIAGRAMS
24" x 24" x 14"



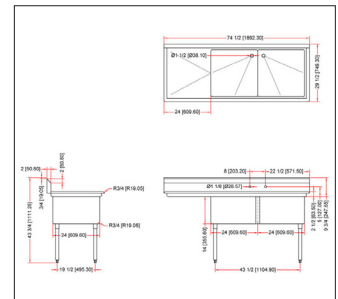
25257 right drain board



25258 two drain boards



22119 no drain board



25256 left drain board

Mississauga, Ontario, Canada

Niagara Falls, New York, USA

Tel: (905) 828-0234 Toll-Free: 1-800-465-0234 Fax: (905) 607-0234 Email: sales@omcan.com

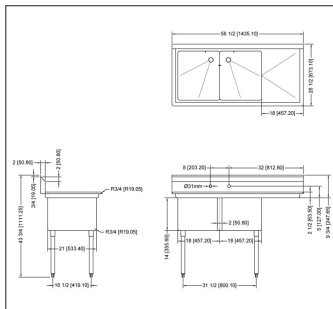
www.omcan.com



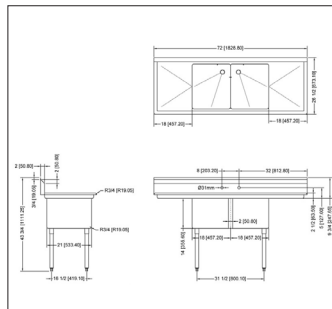
POT SINKS



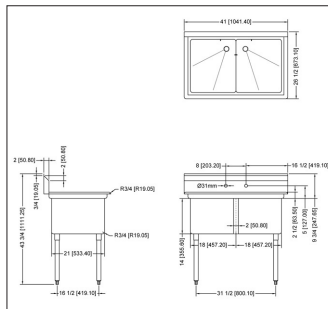
DIAGRAMS
18" x 21" x 14"



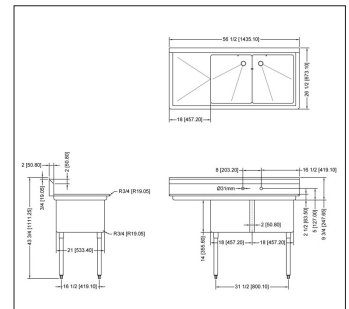
25268 right drain board



25269 two drain boards



25266 no drain board



25267 left drain board



Mississauga, Ontario, Canada

Niagara Falls, New York, USA

Tel: (905) 828-0234 Toll-Free: 1-800-465-0234 Fax: (905) 607-0234 Email: sales@omcan.com

www.omcan.com