

MEAT SLICER



300R Gravity Meat Slicer

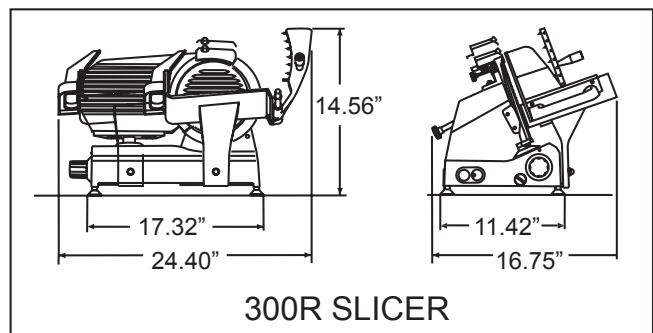
These slicers have anodised aluminium alloy bodies. The high carbon steel blades are hard chromed, with a hollow ground taper for extended sharpening and blade life. These belt driven machines offer exceptional cutting consistency and durability.

The carriage moves smoothly on ball bearings allowing effortless cutting of deli meats and vegetables. Easy to disassemble for quick cleaning. Perfect for low volume operations.

Specifications

Model	300R
Blade Size	12"/300 mm
Horsepower	0.35 HP
RPM	300
Cutting Area DxH	8.66" x 7.5"
Electrical	120V/60/1
Weight	34 lbs.
Packaging Weight	49 lbs.
Dimensions (DWH)	24.40" x 16.75" x 14.56"
Packaging Dimensions	25" x 21" x 20"
Item #	21624

Dimensions



Mississauga, Ontario, Canada

Niagara Falls, New York, USA

Tel: (905) 828-0234 Toll-Free: 1-800-465-0234 Fax: (905) 607-0234 Email: sales@omcan.com

www.omcan.com