



COOKING EQUIPMENT

CENTER OF ALL YOUR FOOD SERVICE NEEDS

COMPACT SERIES PIZZA OVENS WITH SINGLE CHAMBER

Item #: 40633/ 40634

Model #: PE- IT-0005/ PE-IT-0010

The Compact series pizza ovens are practical and functional with a refractory brick baking surface. These ovens are ideal for pizzas, bread and kitchen products (semi-processed).



Authorized Dealer

COOKING EQUIPMENT

COMPACT SERIES PIZZA OVEN WITH SINGLE CHAMBER



40633



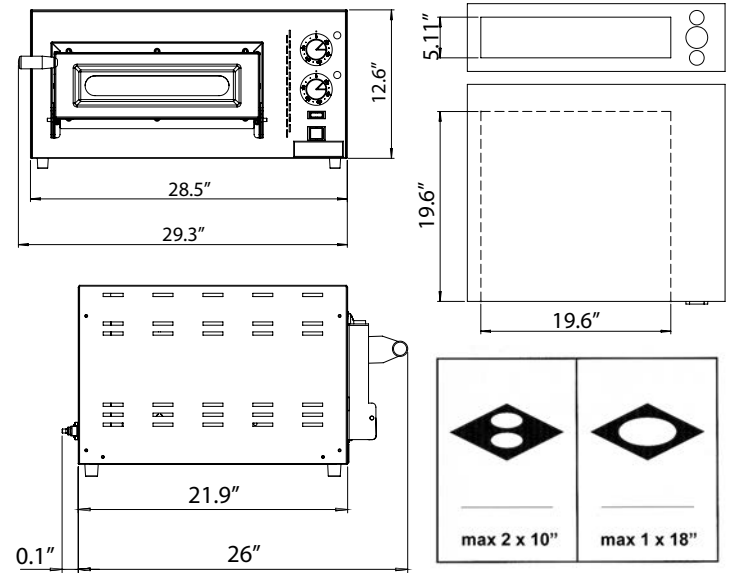
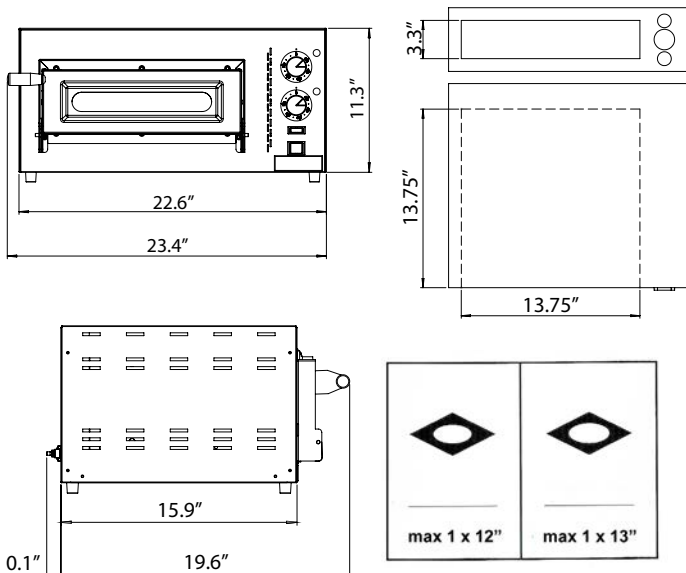
40634

5.3 Cu. Ft. Compact Series Pizza Oven with Single Chamber

ITEM NUMBER	40633
MODEL	PE-IT-0005
MAXIMUM TEMPERATURE	842° F / 450° C
ELECTRICAL	220V / 60 / 1
POWER	2.20 kW
CHAMBER DIMENSIONS (LxDxH)	13.75" x 13.75" x 3.3"
EXTERNAL DIMENSIONS (LxDxH)	22.8" x 19.6" x 11.3"
PACKAGING DIMENSIONS (LxDxH)	25.6" x 23.2" x 15"
VOLUME	5.3 Cu. Ft.
WEIGHT	Net Weight: 30 kg / 66 lbs. Gross Weight: 35 kg / 77 lbs.

9.5 Cu. Ft. Compact Series Pizza Oven with Single Chamber

ITEM NUMBER	40634
MODEL	PE-IT-0010
MAXIMUM TEMPERATURE	842° F / 450° C
ELECTRICAL	220V / 60 / 1
POWER	3.6 kW
CHAMBER DIMENSIONS (LxDxH)	19.6" x 19.6" x 5.11"
EXTERNAL DIMENSIONS (LxDxH)	29.3" x 26" x 12.6"
PACKAGING DIMENSIONS (LxDxH)	31.9" x 30.3" x 17.3"
VOLUME	9.5 Cu. Ft.
WEIGHT	Net Weight: 35 kg / 77 lbs. Gross Weight: 40 kg / 88 lbs.



OMCAN INC.

Telephone: 1-800-465-0234
 Fax: (905) 607-0234
 E-mail: sales@omcan.com
 Website: www.omcan.com



Follow us to keep up to date with the latest news and offers

