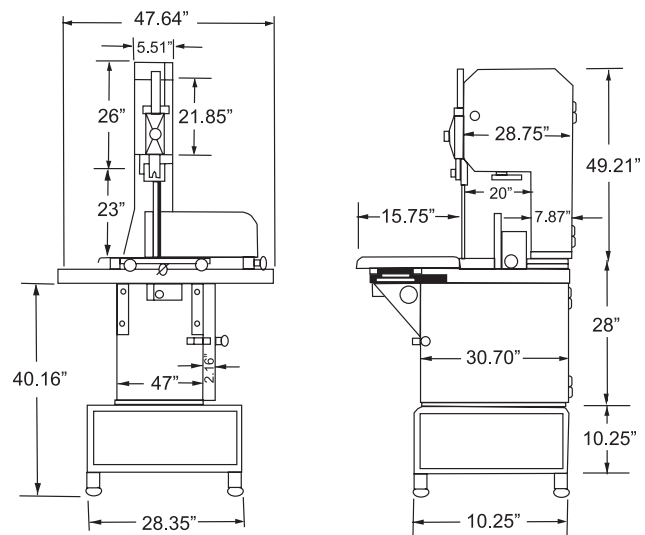


# BAND SAW

## MODEL B40



Fabricated in steel with electrostatic oven paint, complete with an aluminum head. Its stainless steel table has a four-wheel base that slides on rails. Equipped with adjustable legs. Easy to disassemble for quick cleaning and maintenance.



### SPECIFICATIONS

<b>Model</b>	<b>B40</b>	<b>Electrical</b>	220V/60/1
<b>HP</b>	3 HP	<b>Weight</b>	374 lbs.
<b>Cutting Capacity</b>	15" x 18"	<b>Shipping Weight</b>	415 lbs.
<b>Blade Saw Dimensions</b>	0.78" x 12.60"	<b>Shipping Dimensions</b>	40" x 54" x 96"
<b>Blade Length</b>	126"	<b>Item #</b>	10272



**OMCAN INC.**  
**Food Machinery of America Inc.**

Email: [sales@omcan.com](mailto:sales@omcan.com) ♦ Phone: 1.800.465.0234 or 905.828.0234 ♦ Fax: 905.607.0234