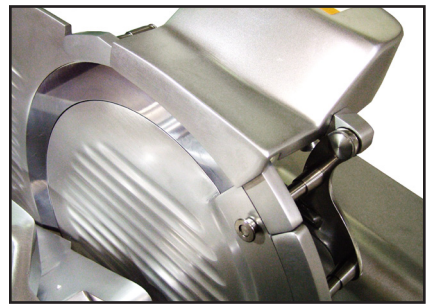
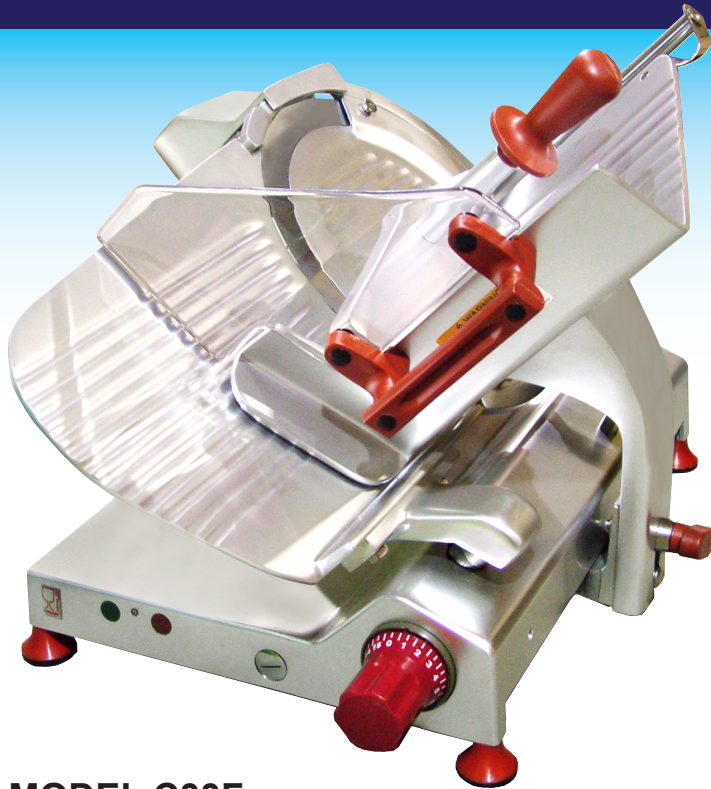




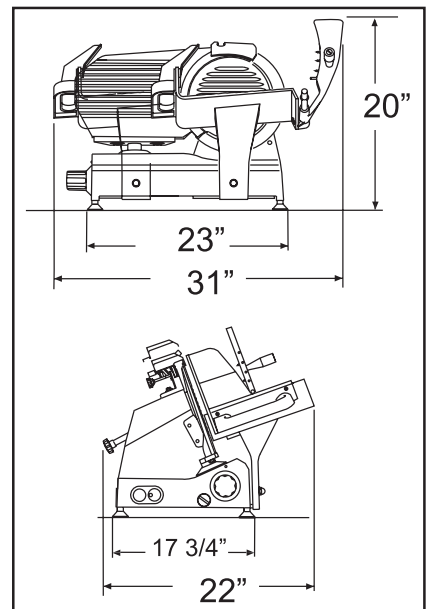
MEAT SLICER



MODEL C33F

Omas Slicers provide long lasting heavy-duty performance and dependability. The gears are constantly bathed in oil. The polished anodized aluminium body along with its high carbon, hard chromed blade provides long life and durability. These machines are easy to disassemble and clean. Suitable for cheese and hard meats.

Model	C33F
Blade Size	13" /330 mm
Horsepower	0.47 HP
Cut Thickness	0-15mm
Cutting Area DxH	11" x 7.7"
Amps	3.3
Electrical	115 V / 60 / 1
Weight	83.6 lbs.
Packaging Weight	104 lbs.
Packaging Dimensions	33" x 28" x 27"
Item #	24079



Mississauga, Ontario, Canada

Niagara Falls, New York, USA

Tel: (905) 828-0234 Toll-Free: 1-800-465-0234 Fax: (905) 607-0234 Email: sales@omcan.com

www.omcan.com