



DISHWASHER

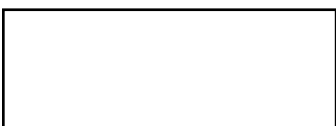
CENTER OF ALL YOUR FOOD SERVICE NEEDS

UNDER COUNTER HIGH TEMPERATURE DISHWASHER

Item #: 39716

Model: CD-GR-0500

*High Performance
and Quality
Under counter Dishwasher*



Authorized Dealer

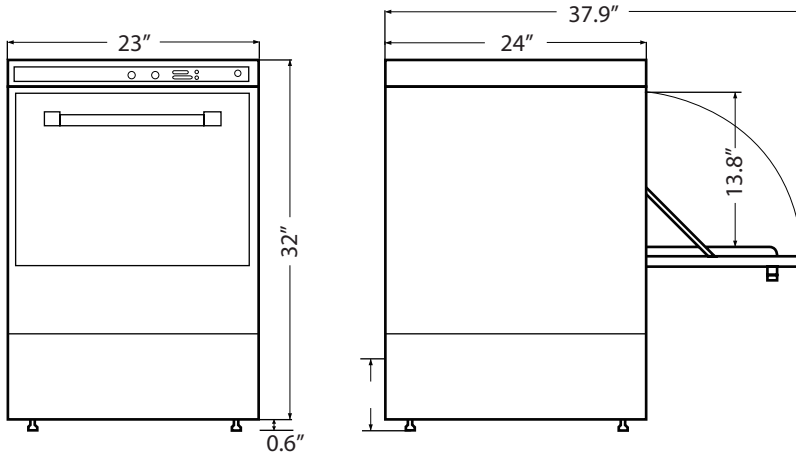
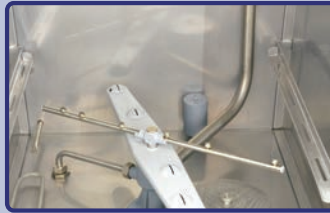


DISHWASHER

UNDER COUNTER DISHWASHER



Detail Shots



Features:

- Door opening: 14" / 360mm
- Double skin door
- Washing pump: IP44
- Standard tank and boiler thermometer
- Standard draining pump
- Standard detergent pump
- Standard rinsing thermo detector
- Proof rinse feature insures proper sanitized rinse cycle temperature
- 3 washing cycle
- Low maintenance, heavy duty, all corrosion resistant
- 304 Stainless steel
- Thermal protection for wash and tank booster

PRODUCT SPECIFICATIONS

ITEM	39716	HOT WATER REQUIREMENTS	.5" GPC (2LPC) 50°C/ 120 53°F
MODEL	CD-GR-0500	WATER LINE REQUIREMENTS	.75" Hose supplied
BASKET SIZE	20" x 20"	WATER PRESSURE REQUIREMENTS	30-72 PSI
WASH PUMP	0.75 HP	DRAIN LINE	1.1" Hose supplied
CAPACITY	Booster tank: 6L Wash tank: 35L	DOOR CLEARANCE	14"
HEATING ELEMENT	tank: 2.8 kW Booster tank: 3 kW	DIMENSIONS (WDH)	23" x 24" x 32"
POWER	3.6 kW	SHIPPING DIMENSIONS	24" x 27" x 39"
ELECTRICAL	208-240V/ 60hz	NET WEIGHT	121 lbs
AMP	16A	SHIPPING WEIGHT	132 lbs

OMCAN INC.

Telephone: 1-800-465-0234
 Fax: (905) 607-0234
 E-mail: sales@omcan.com
 Website: www.omcan.com



Follow us to keep up to date with the latest news and offers

