



**BROILER**

**CENTER OF ALL YOUR FOOD SERVICE NEEDS**

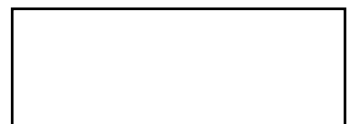
## **QUARTZ ADJUSTABLE SINGLE SALAMANDER**

**Item #: 39581**

**Model: CE-CN-1506-S**



*High Performance  
and Quality  
Single Salamander*



Authorized Dealer

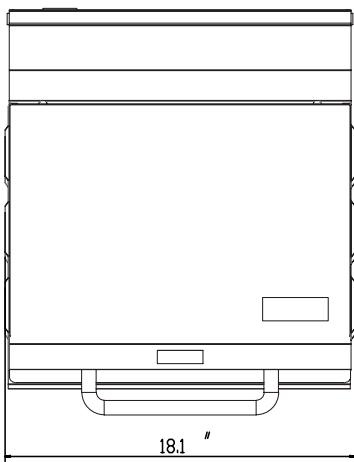


# BROILER

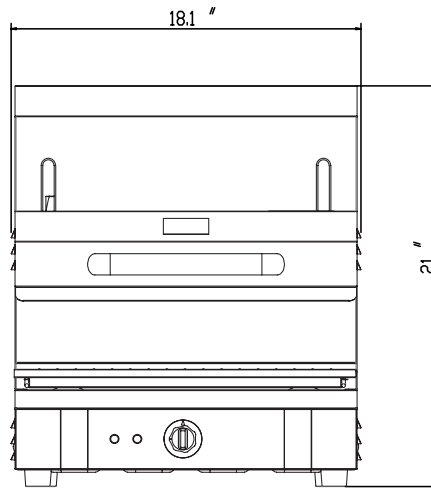
## ADJUSTABLE SINGLE SALAMANDER



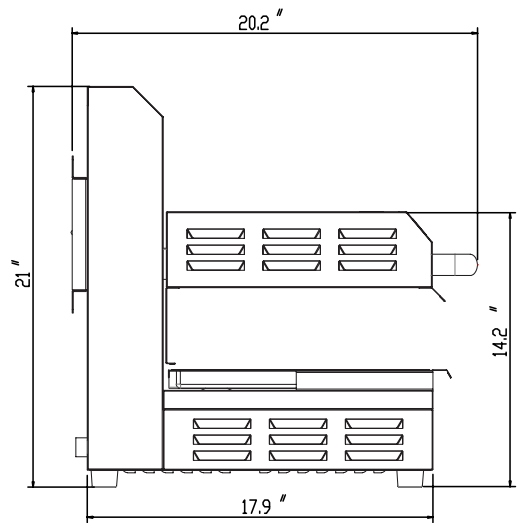
### Detail Shots



TOP VIEW



FRONT VIEW



SIDE VIEW

### Features:

- Quick quartz heating from top.
- Adjustable top grill for quick cooking with minimal heat loss.
- Energy server device.
- Removable base tray.
- Rubber feet.
- Wall mounted available.
- Adjustable heating supply.
- Built with stainless steel.

Ideal for heating, baking, cooking pizzas, sandwiches, cakes and much more. It distributes heat evenly for great cooking results.

### PRODUCT SPECIFICATIONS

ITEM	39581	WEIGHT	12 lbs. / 5.4 kg.
MODEL	CE-CN-1506-S	PACKAGING WEIGHT	15 lbs. / 6.8 kg.
MATERIAL	Stainless Steel	DIMENSIONS (DWH)	20.2" x 18.1" x 21"
WARMING BASE	17.7" x 14" / 45cm x 35.5cm	PACKAGING DIMENSIONS	22.4" x 19.6" x 22.4"
POWER	1800 W		56.9cm x 49.8cm x 56.9cm
ELECTRICAL	120V / 60 Hz		

### OMCAN INC.

Telephone: 1-800-465-0234  
 Fax: (905) 607-0234  
 E-mail: sales@omcan.com  
 Website: www.omcan.com



Follow us to keep up to date with the latest news and offers

