



BROILER

CENTER OF ALL YOUR FOOD SERVICE NEEDS

QUARTZ ADJUSTABLE DOUBLE SALAMANDER

Item #: 39582

Model: CE-CN-1633-S



*High Performance
and Quality
Double Salamander*



Authorized Dealer

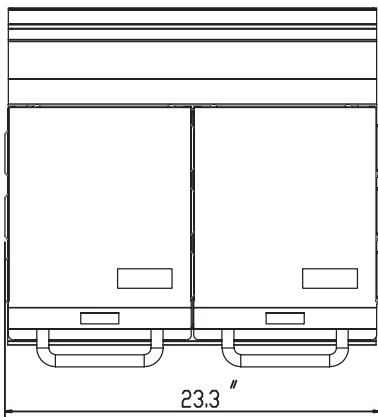


BROILER

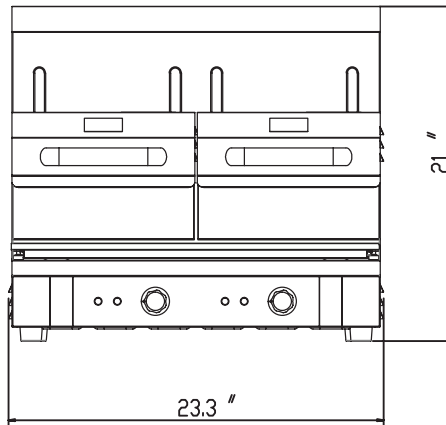
ADJUSTABLE DOUBLE SALAMANDER



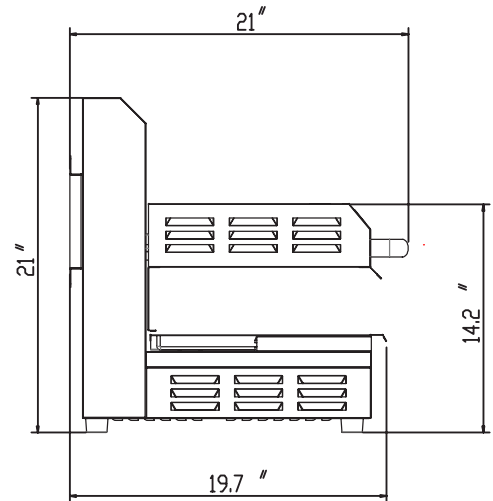
Detail Shots



TOP VIEW



FRONT VIEW



SIDE VIEW

Features:

- Quick quartz heating from top.
- Adjustable top grill for quick cooking with minimal heat loss.
- Energy server device.
- Removable base tray.
- Rubber feet.
- Wall mounted available.
- Adjustable heating supply.
- Built with stainless steel.

Ideal for heating, baking, cooking pizzas, sandwiches, cakes and much more. It distributes heat evenly for great cooking results.

PRODUCT SPECIFICATIONS

ITEM	39582	WEIGHT	25 lbs. / 11.3 kg.
MODEL	CE-CN-1633-S	PACKAGING WEIGHT	29 lbs. / 13.2 kg.
MATERIAL	Stainless Steel	DIMENSIONS (DWH)	21" x 23.3" x 21"
WARMING BASE	22.8" x 14" / 58cm x 35.5cm	PACKAGING DIMENSIONS	53.3cm x 59.2cm x 53.3cm
POWER	3200 W		24.8" x 24.24" x 22.4"
ELECTRICAL	240V / 60 Hz		63cm x 61.6cm x 56.9cm

OMCAN INC.

Telephone: 1-800-465-0234
 Fax: (905) 607-0234
 E-mail: sales@omcan.com
 Website: www.omcan.com



Follow us to keep up to date with the latest news and offers

