

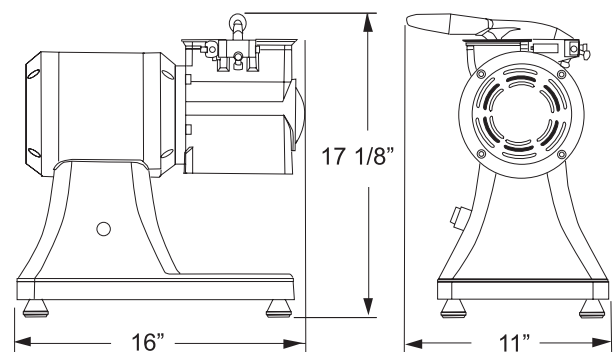
CHEESE GRATER



MODEL CG55SSH

This cheese grater is made of aluminium alloy and designed to grate cheese for small to medium applications. Made in China.

| | |
|-----------------------------|---------------------------|
| Model | CG55SSH |
| HP | 0.75 HP |
| Grater Revolution | 1440 |
| Mouth Dimension | 3 1/8" x 5 5/8" |
| Pan Size | 10 5/8" x 7 1/2" x 2 1/8" |
| Electrical | 110V / 60 / 1 |
| Weight | 39 lbs. |
| Packaging Weight | 40 lbs. |
| Dimensions (DWH) | 16" x 11" x 17 1/8" |
| Packaging Dimensions | 19 1/4" x 13" x 19" |
| Item # | 23991 |



Mississauga, Ontario, Canada

Niagara Falls, New York, USA

Tel: (905) 828-0234 Toll-Free: 1-800-465-0234 Fax: (905) 607-0234 Email: sales@omcan.com

www.omcan.com