



JUICE DISPENSERS

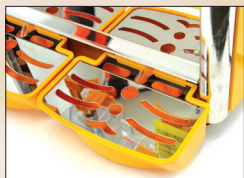
ELECTRIC JUICE DISPENSERS

Item #: 28715/ 28716/ 28717

Model: DI-CN-0012-C/ DI-CN-0024-C/ DI-CN-0036-C

NEW & IMPROVED

- Easy to use Electrical Juice Dispensers
- Easy to disassemble for cleaning
- Temperature can be manually adjusted as desired
- LED lighting



Authorized Dealer



JUICE DISPENSERS

ELECTRIC JUICE DISPENSERS

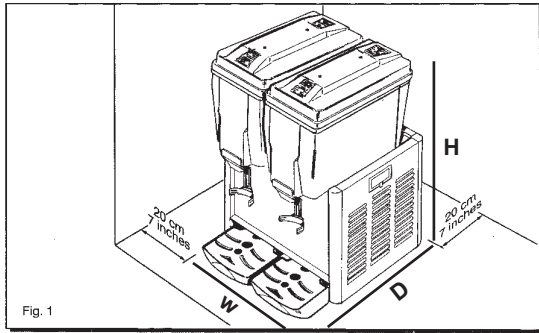


Fig. 1

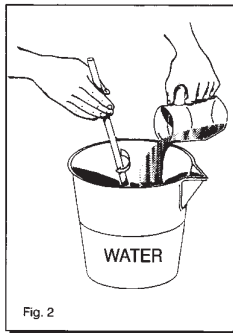


Fig. 2

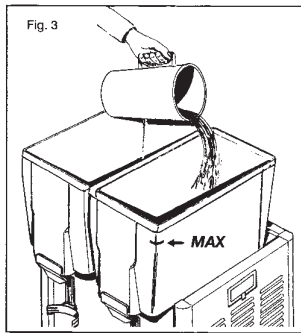


Fig. 3

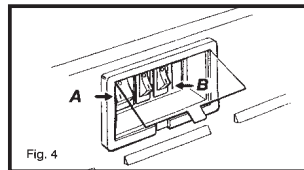


Fig. 4

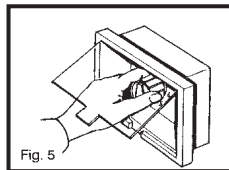


Fig. 5

INSTALLATION

If necessary, use only approved multiple outlets, in compliance with current safety standards. If in doubt, consult only specialized technicians.

By law, the machine must always be grounded.

OPERATION

Carefully clean the tanks and taps of the appliance before it is used or comes into contact with drinks.

FILLING

For a correct usage of the machine ensure that the liquid level of the tank does not go below 3-4 Lt (please use the level lines on the tank for reference).

1. Mix product in a separate container (FIG. 2).
2. Always unplug the appliance before filling up the container.
3. Do not fill the container with a hot product.
4. Do not let the liquid level exceed the "MA" level line (FIG. 3).

FUNCTIONING (FIG. 4)

1. Before plugging in the machine, make sure that the main switch (A) is in the [O] position.
2. Before starting the machine, ensure that the tanks are properly closed with their covers.
3. Turn the main switch to [I] position, the condensing unit will automatically start.
4. To start the mixing action, turn the appropriate stirring switch to [I] position. The mixing system switches (B) located beside the main switch. Each tank has a string control switch.
5. Press the tap lever lightly to pour the drink out.

BEVERAGE TEMPERATURE ADJUSTMENT (FIG. 5)

To adjust the temperature of liquid, lift up the plastic cover on the left side of the appliance. Then turn the temperature control knob to set the temperature. Lower down the temperature by turning the knob clockwise (higher figure), and increase temperature by turning it counterclockwise (lower figure). Note: The numbers beside the control knob indicate cooler or hotter, not the actual temperature of the liquid.

CAUTION: You are suggested not to reset the temperature controller frequently.

TECHNICAL SPECIFICATION	Single Electric Juice Dispenser with 3.2 Gal x 1	Double Electric Juice Dispenser with 3.2 Gal x 2	Triple Electric Juice Dispenser with 3.2 Gal x 3
ITEM NUMBER	28715	28716	28717
MODEL	DI-CN-0012-C	DI-CN-0024-C	DI-CN-0036-C
CAPACITY	1 x 12 L / 3.2 Gal	2 x 12 L / 3.2 Gal	3 x 12 L / 3.2 Gal
TEMPERATURE	2° - 8°C / 35° - 46°F	2° - 8°C / 35° - 46°F	2° - 8°C / 35° - 46°F
CLIMATIC CLASS	N	N	N
ELECTRICAL	110V / 1 / 60Hz	110V / 1 / 60Hz	110V / 1 / 60Hz
POWER INPUT	374 WATTS	369 WATTS	430 WATTS
REFRIGERANT	R134a, 82g	R134a, 100g	R134a, 120g
CURRENT	4.28 A	4.40 A	4.73 A
DIMENSIONS (WDH)	17" x 9" x 25" / 43cm x 23cm x 63.5cm	17" x 17" x 25" / 43cm x 43cm x 63.5cm	17" x 24.75" x 25" / 43cm x 63cm x 63.5cm
PACKAGING DIMENSIONS (DWH)	21.5" x 13.5" x 28.5" / 54.6cm x 34cm x 72cm	21.5" x 22" x 28.5" / 54.6cm x 56cm x 72cm	21.5" x 29" x 28.5" / 54.6cm x 73.7cm x 72.4cm
WEIGHT	20 kg / 44 lbs.	29 kg / 64 lbs.	36 kg / 80 lbs.
PACKAGING WEIGHT	22 kg / 48.5 lbs.	31.5 kg / 69.45 lbs.	40.5 kg / 89.29 lbs.

OMCAN INC.

Telephone: 1-800-465-0234
 Fax: (905) 607-0234
 E-mail: sales@omcan.com
 Website: www.omcan.com



Follow us to keep up to date with the latest news and offers

