



## VACUUM PACKAGING MACHINES

**DZ390T**



**DZ260PD**



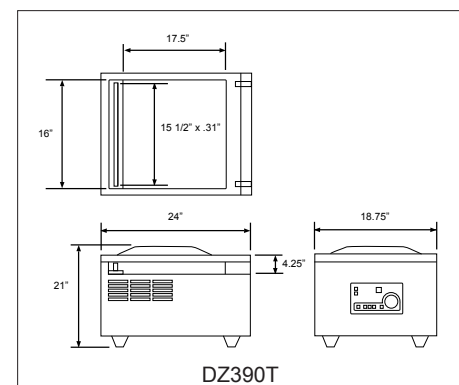
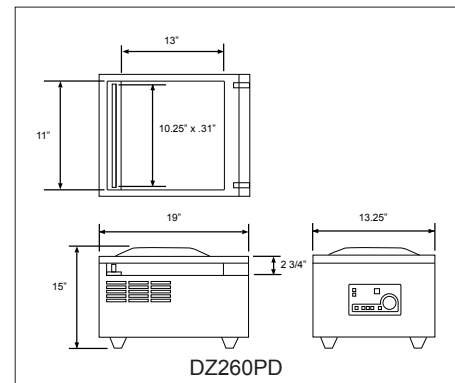
### MODEL DZ260PD / DZ390T

The DZ260PD and DX390T vacuum packaging machines are ideal for vacuum sealing different types of vacuum pouches.

The machines are equipped with a digital control panel that controls the sealing temperature, sealing time, drawing air time, and cooling time. Once the lid is closed, the machine automatically starts the sealing process.

#### SPECIFICATIONS

Model	DZ260PD	DZ390T
Seal Bar	10.25" x 0.31"	15.50" x 0.31"
Pump Power	10 m <sup>3</sup> /h	20 m <sup>3</sup> /h
Chamber Size	15" x 11" x 3 1/2"	20" x 16" x 5 7/8"
Electrical	110V / 60 / 1	110V / 60 / 1
Weight (Net/Gross)	79.2 lbs / 96.8 lbs	96.8 lbs / 132 lbs.
Dimensions(DWH)	19" x 13 1/4" x 15"	24" x 18 3/4" x 21"
Item #	19481	19482



Made in China

Mississauga, Ontario, Canada

Niagara Falls, New York, USA

Tel: (905) 828-0234 Toll-Free: 1-800-465-0234 Fax: (905) 607-0234 Email: sales@omcan.com

[www.omcan.com](http://www.omcan.com)