



## ELECTRIC FRYERS

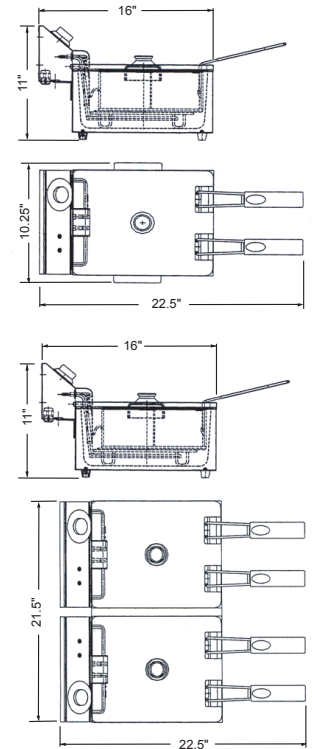


### Model EF-6L and EF-6L2

These counter top electrical deep fryers are ideal for small to medium applications. The body is made of stainless steel to allow easy cleaning. Equipped with a limit switch to prevent overheating. These fryers are controlled by a thermostat. Operating temperatures range from 60°-200°C /140°-392°F.

#### SPECIFICATIONS

Model	EF-6L	EF-6L2
Power (KW)	1.6	1.6 + 1.6
Volume of Oil	6L	6L + 6L
Adjustable Temperature	60°-200°C/140°-392°F.	60°-200°C/140°-392°F.
Basket Dimensions (DWH)	9.25" x 4" x 4"	9.25" x 4" x 4"
Electrical	110V/60/1	110V/60/1
Packaging Dimensions	19" x 14" x 13"	25" x 19" x 13"
Weight	15 lbs.	27 lbs.
Item #	11363	11364



Mississauga, Ontario, Canada

Niagara Falls, New York, USA

Tel: (905) 828-0234 Toll-Free: 1-800-465-0234 Fax: (905) 607-0234 Email: sales@omcan.com

[www.omcan.com](http://www.omcan.com)