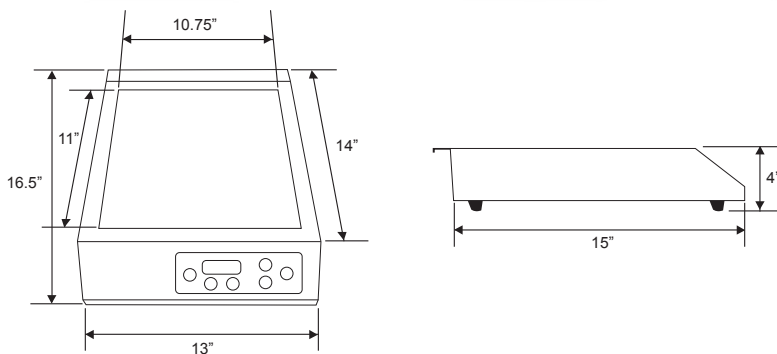


INDUCTION COOKERS

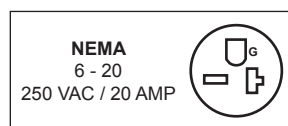


CONTROLS

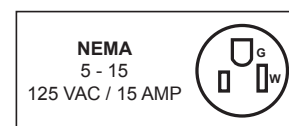
1. Timer
2. Reduce time, temperature or power
3. LCD Display
4. Increase time, temperature or power
5. Heat, Temperature and Timer indicator lights
6. Temperature Button
7. On/Off button
8. Heat button
9. Power indicator

Countertop induction cookers constructed of stainless steel. Each unit is equipped with a LED digital display and controls for easy and accurate temperature adjustments and timer settings. These induction cookers are energy efficient; all heat is contained and transferred directly to cookware placed onto the unit.

| Item# | 24221 | 24429 |
|----------------------|------------------------------|------------------------------|
| Temperature Range | 66°C ~ 232°C / 150°F ~ 450°F | 66°C ~ 232°C / 150°F ~ 450°F |
| Power | 3200 W | 1800 W |
| Electrical | 240V / 60 | 120V / 60 |
| Weight | 12 lbs. | 12 lbs. |
| Packaging Weight | 29 lbs. | 15 lbs. |
| Dimensions (LWH) | 16.5" x 13" x 4" | 16.5" x 13" x 4" |
| Packaging Dimensions | 20" x 15" x 18" | 20" x 15" x 18" |



Item #24221



Item #24429



Mississauga, Ontario, Canada

Tel: (905) 828-0234 Toll-Free: 1-800-465-0234 Fax: (905) 607-0234 Email: sales@omcan.com

www.omcan.com

Niagara Falls, New York, USA