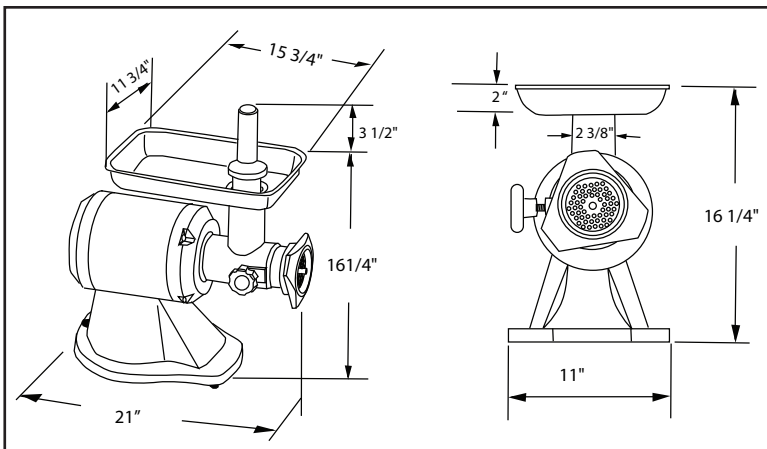


MEAT GRINDER



Model FA22

Made of attractive polished aluminum. Comes with a stainless steel pan, stomper, machine knife and extra #22 machine plates (8mm and 4.8 mm). The Model FA22 meat grinder is ideal for restaurants or small butcher operations.



SPECIFICATIONS

Model	FA22
HP	1.5
RPM	200
Amp	10
Electrical	110V/60/1
Weight	63.8 lbs.
Shipping Weight	77 lbs.
Dimension (LWH)	21" x 11.75" x 19.75"
Shipping Dimension	22" x 14.5" x 17.5"
Item #	20039



OMCAN INC.
Food Machinery of America Inc.

Email: sales@omcan.com ♦ Phone: 1.800.465.0234 or 905.828.0234 ♦ Fax: 905.607.0234