

MEAT GRINDERS



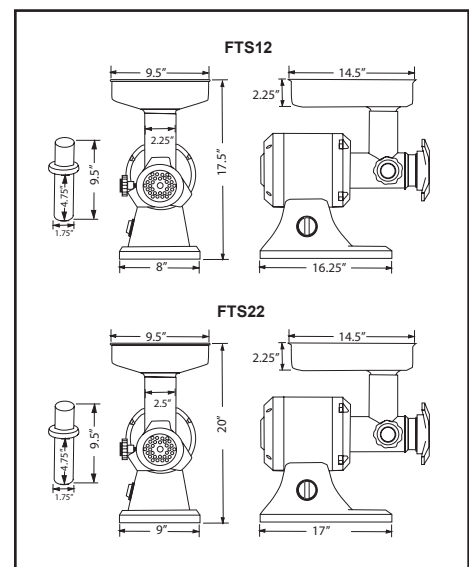
Model FTS12

Model FTS22

Model FTS 12 Model FTS22

With proven dependability, these grinders offer a great value. Manufactured with polished aluminium body and stainless steel hopper. They come with 3/16 plates and knives. The FTS-12 and FTS-22 are ideally suited for restaurants or small butcher operations. Made in Italy.

Model	FTS 12	FTS 22
Horsepower	1.0 HP	1.5 HP
RPM	140	90
Throat Opening	2"	2.25"
Electrical	110V/60/1	110V/60/1
Weight	42 lbs.	50 lbs.
Packaging Weight	43 lbs.	54.5 lbs.
Dimension (LWH)	16.25" x 8" x 17.5"	17" x 9" x 20"
Packaging Dimension	17.5" x 9.5" x 17.5"	19.5" x 12" x 20.5"
Item #	11051	11053



Mississauga, Ontario, Canada

Niagara Falls, New York, USA

Tel: (905) 828-0234 Toll-Free: 1-800-465-0234 Fax: (905) 607-0234 Email: sales@omcan.com

www.omcan.com