

BOWL CUTTERS



MODEL K15

Bowl cutting produces as much as 15% higher finished product yield. Bowl cutting also allows the use of up to 30% more water and results in less shrinkage.

STANDARD

- Anti-noise lid.
- 3-knife head
- Digital thermometer
- 2 speed-variable speed control
- All stainless steel

OPTIONAL

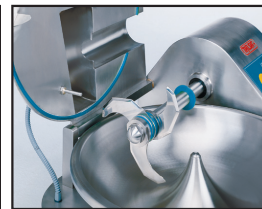
- 6-knife head
- Single phase motor (1 speed-2.5 HP)

SPECIFICATIONS

Model	K15
Bowl Volume	15 L / 4 gal
Mixture Bowl Capacity (approx.)	12 kg /26.4 lbs.
Total Horsepower	2.1/2.7 HP
Knife Speed	1700/3400 RPM
Bowl Speed	22/45 RPM
Electrical	220V/60/3
Weight	441 lbs.
Packaging Weight	500 lbs.
Dimensions (DWH)	29.5" x 34.25" x 21.6"
Packaging Dimensions	40" x 31" x 30"
Item #	10875



Front Lid

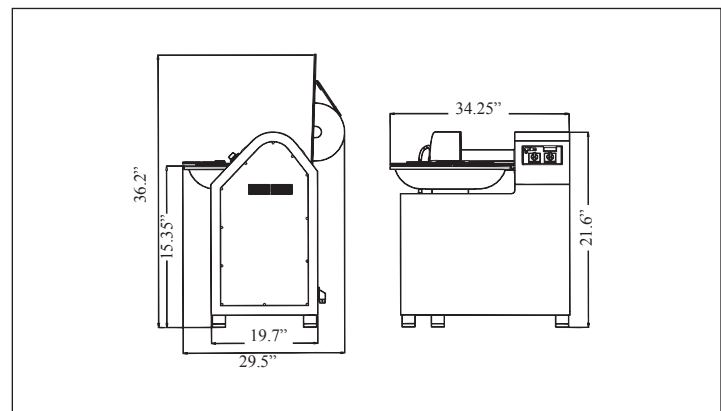


Standard



Optional

DIMENSIONS



Mississauga, Ontario, Canada

Niagara Falls, New York, USA

Tel: (905) 828-0234 Toll-Free: 1-800-465-0234 Fax: (905) 607-0234 Email: sales@omcan.com

www.omcan.com