

## BOWL CUTTERS



### MODEL K50

Bowl cutting produces as much as 15% higher finished product yield. Bowl cutting also allows the use of up to 30% more water and results in less shrinkage.

#### STANDARD

- 2 independent motors (bracket knife and bowl).
- Two 2 speed motors
- 6 knife head and compensating rings to use for 3 -knife head.
- Anti-noise lid
- All stainless steel
- Water resistant switchboard

#### OPTIONAL

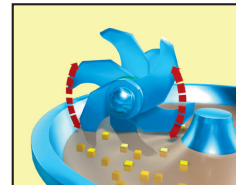
- Optional slow knife mixing speed in 2 directions.

#### SPECIFICATIONS

<b>Model</b>	<b>K50</b>
<b>Bowl Volume</b>	50 L / 13 gal
<b>Mixture Bowl Capacity (approx.)</b>	37 kg./81.5 lbs.
<b>Knife Horsepower</b>	12/15 HP
<b>Knife Speed</b>	2200/4300 RPM
<b>Bowl Horsepower</b>	0.7/1.5 HP
<b>Bowl Speed</b>	11/21 RPM
<b>Electrical</b>	220V/60/3
<b>Weight</b>	1322.75 lbs.
<b>Packaging Weight</b>	1650.00 lbs.
<b>Dimensions (DWH)</b>	46.4" x 49.2" x 47.2
<b>Packaging Dimensions</b>	56" x 58" x 56"
<b>Item #</b>	10879



Front lid

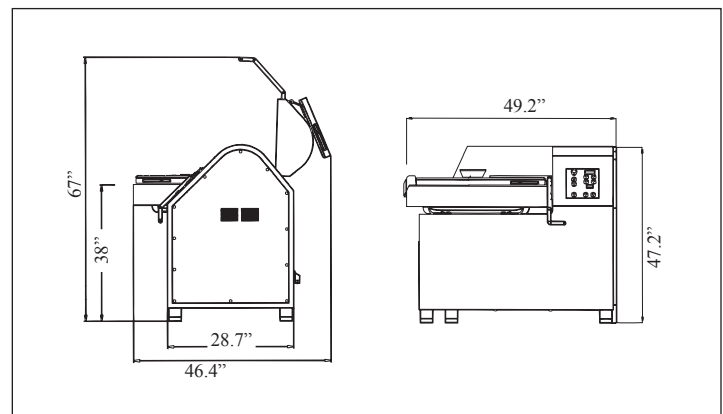


Optional slow knife mixing speed in 2 directions.



Standard removable 6 and 3-knife head.

#### DIMENSIONS



Mississauga, Ontario, Canada

Niagara Falls, New York, USA

Tel: (905) 828-0234 Toll-Free: 1-800-465-0234 Fax: (905) 607-0234 Email: sales@omcan.com

[www.omcan.com](http://www.omcan.com)