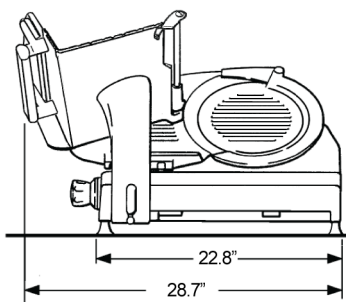
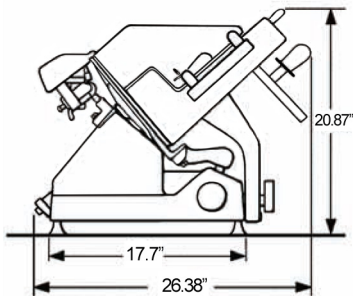




C 33 F/S Meat Slicer

- GEAR driven transmission.
- ON/OFF one switches with LED.
- Removable parts for cleaning, blade cover, product-holder plate, aluminum meat grip, stainless steel slice deflector.
- Blade with NARROW BAND of chromium - plated hardened steel.
- Turning aside and REMOVABLE sharpener.
- Big size product - holder plate.
- Transparent Plexiglas Protection at product - holder plate.
- High reliability of all elements.
- New design with large spaces.
- Safety devices according to EN1974 standards.



Item	31438
Model	C 33 F/S
Blade	13" / 330 mm
Power	350 Watts / 0.47 HP
Slicing Capacity	□ 10.6" x 6.7" ○ 9.45"
Cut Thickness	0 - 0.55" / 0 - 14 mm
Drive	Gear
IP	65
RPM	240
Voltage	120V / 60Hz / 1PH
Weight	43 kg. / 94.8 lbs.
Packaging Weight	50 kg. / 110 lbs.
Packaging Dimensions	32.7" x 28" x 26.7"



Mississauga, Ontario, Canada

Niagara Falls, New York, USA

Tel: (905) 828-0234 Toll-Free: 1-800-465-0234 Fax: (905) 607-0234 Email: sales@omcan.com

www.omcan.com