



FOOD EQUIPMENT

SERVING THE FOOD INDUSTRY SINCE 1951

ELITE SERIES SINGLE PANINI GRILL - RIBBED TOP AND BOTTOM

Item: 11375

Model: PG-IT-0483-R



Ideal for quesadillas, panini, foccacia, and pita sandwiches. These model have stainless steel bodies with cast iron grilling surfaces for easy cleaning.



Authorized Dealer



LIMITED WARRANTY
PARTS AND LABOR



FOOD EQUIPMENT

ELITE SERIES SINGLE PANINI GRILL - RIBBED TOP AND BOTTOM



Main Component

- 1 Collecting Tray
- 2 Thermostat Control
- 3 Functioning Pilot Lamp
- 4 Non-slip Rubber Feet
- 5 Top & Bottom: Ribbed Grill Plate



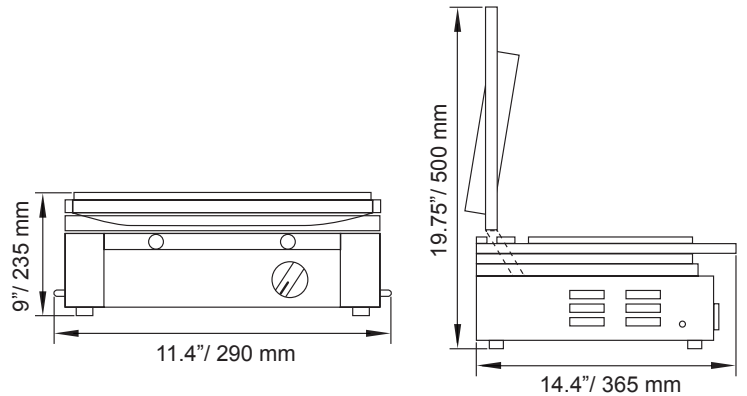
Accessory



Panini Grill Cleaning Brush

SINGLE PANINI GRILL WITH RIBBED TOP & BOTTON GRILL PLATES

TECHNICAL DRAWING WITH DIMENSIONS



TECHNICAL SPECIFICATION

ITEM NUMBER	11375
MODEL	PG-IT-0483-R
GRILL SURFACE	10" x 9" / 254 x 228.6 mm
AMPS	15
THERMOSTAT CONTROL	120 - 570 °F / 50 - 300 ° C
POWER	1.7 kW
ELECTRIC	110V/60Hz/1
TOP GRILL	Ribbed
BOTTOM GRILL	Ribbed
NET WEIGHT	40 lbs./ 18 kg.
GROSS WEIGHT	43 lbs./ 19.5 kg.

DIMENSIONS (WDH)

11.4" x 14.4" x 19.75"(Open) / 9"(Close)
290 x 365 x 500(Open) / 235(Close) mm



NEMA
5-20
125 VAC / 20 AMP



OMCAN INC.

Telephone: 1-800-465-0234

Fax: (905) 607-0234

Email: sales@omcan.com

Website: www.omcan.com



Follow us to keep up to date with the latest news and offers



2015.E.O.E