



FOOD EQUIPMENT

SERVING THE FOOD INDUSTRY SINCE 1951

ELITE SERIES DOUBLE PANINI GRILL - RIBBED TOP AND 1/2 SMOOTH & 1/2 RIBBED BOTTOM

Item: 11380

Model: PG-IT-0737



Ideal for quesadillas, panini, foccacia, and pita sandwiches. These model have stainless steel bodies with cast iron grilling surfaces for easy cleaning.



Authorized Dealer

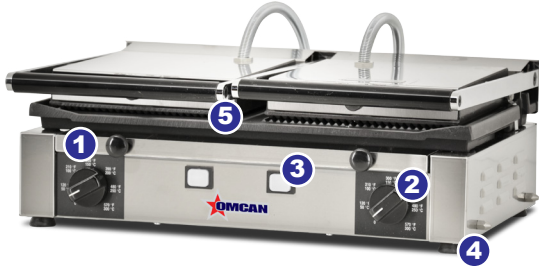


LIMITED WARRANTY
PARTS AND LABOR



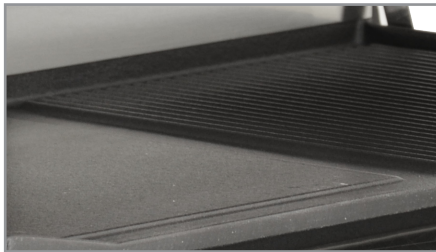
FOOD EQUIPMENT

ELITE SERIES DOUBLE PANINI GRILL - RIBBED TOP AND 1/2 SMOOTH & 1/2 RIBBED BOTTOM



Main Component

- 1 Collecting Tray
- 2 Thermostat Control
- 3 Functioning Pilot Lamp
- 4 Non-slip Rubber Feet
- 5 Top: Ribbed Grill Plate
Bottom: 1/2 Ribbed, 1/2 Smooth Grill Plate



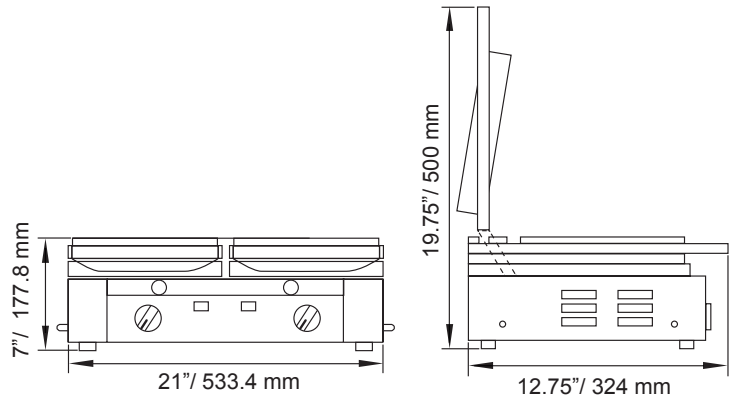
Accessory



Panini Grill Cleaning Brush

DOUBLE PANINI GRILL WITH RIBBED TOP & 1/2 SMOOTH & 1/2 RIBBED BOTTOM GRILL PLATES

TECHNICAL DRAWING WITH DIMENSIONS



TECHNICAL SPECIFICATION

ITEM NUMBER	11380
MODEL	PG-IT-0737
GRILL SURFACE	Top: 8.75" / 222.25 mm (x2), Bottom: 10" x 19" / 254 x 482.6 mm
AMPS	13
THERMOSTAT CONTROL	120 - 570 °F / 50 - 300 ° C
POWER	3 kW
ELECTRIC	220V/60Hz/1
TOP GRILL	Ribbed
BOTTOM GRILL	1/2 Smooth, 1/2 Ribbed
NET WEIGHT	70 lbs./ 31.75 kg.
GROSS WEIGHT	75 lbs./ 34 kg.
DIMENSIONS (WDH)	21" x 12.75" x 19.75"(Open)/ 7"(Close) 533.4 x 324 x 500(Open)/ 177.8(Close) mm



NEMA
6-20
250 VAC / 20 AMP



OMCAN INC.

Telephone: 1-800-465-0234
Fax: (905) 607-0234
Email: sales@omcan.com
Website: www.omcan.com



Follow us to keep up to date with the latest news and offers



2015.E.O.E