

# MEAT GRINDERS



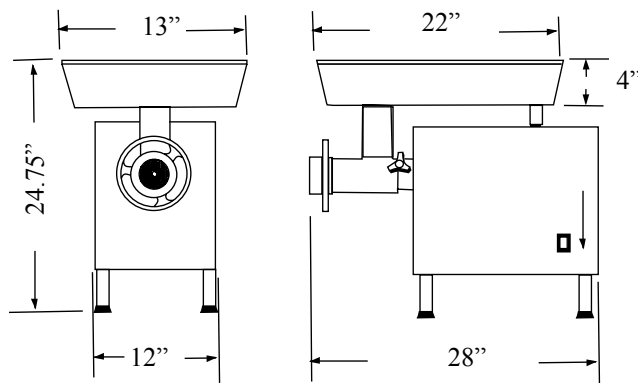
## MODEL PSEE-22S

The PSEE-22S has a hopper opening of 2 1/2" and comes with an extra # 22 machine plate. Ideally designed for butcher shops, food stores, and restaurants.

### SPECIFICATIONS

Model	HP	RPM on Motor	RPM on Worm	Amperage	Electrical	Weight
PSEE22S	2 HP	1750	150	16	110V/60/1	150 lbs.

Authorized Dealer:



Diverse ♦ Dependable ♦ Proven

**OMCAN INC.**  
**FOOD MACHINERY OF AMERICA INC.**

[www.omcan.com](http://www.omcan.com)

Email: [sales@omcan.com](mailto:sales@omcan.com) ♦ Phone: 1.800.465.0234 or 905.828.0234 ♦ Fax: 905.607.0234