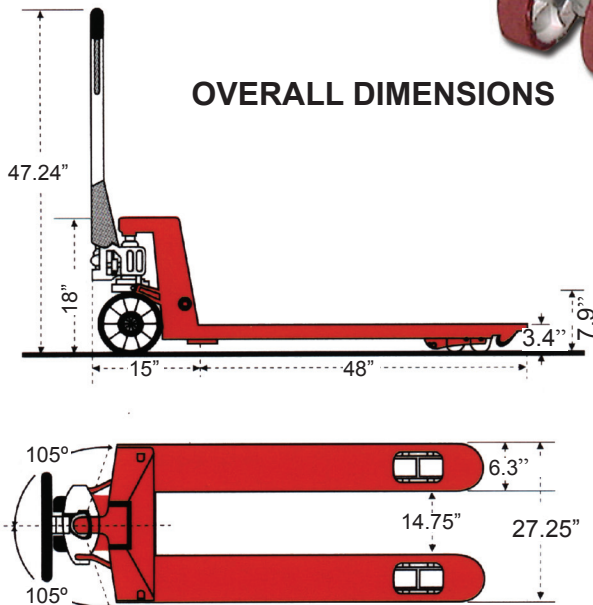




MATERIAL HANDLING



OVERALL DIMENSIONS



Model PT2500

Our trucks are designed to withstand tough everyday handling. It provides great reliability and dependability. Great for supermarkets and food service operation.

| | |
|-----------------------------|--------------------|
| Model | PT2500 |
| Capacity | 6614 lbs. |
| Steering Wheel | Ø 7.9" x 2" |
| Packaging Weight | 196 lbs. |
| Packaging Dimensions | 63" x 27.25" x 18" |
| Item # | 19978 |



Mississauga, Ontario, Canada

Niagara Falls, New York, USA

Tel: (905) 828-0234 Toll-Free: 1-800-465-0234 Fax: (905) 607-0234 Email: sales@omcan.com

www.omcan.com