

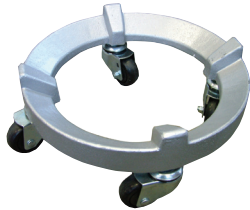
MIXER ATTACHMENTS

STAINLESS STEEL MIXER BOWLS



Model	Description	Packaging Weight	Dimensions (Dia x H)	Item #
MXB20	20 QT Stainless Steel Mixer Bowl	12 lbs.	14" Dia x 11" H	14246
MX20A	20 QT Stainless Steel Mixer Bowl Light Gauge	12 lbs.	14" Dia x 11" H	23509
MXB30	30 QT Stainless Steel Mixer Bowl	18 lbs.	15.5" Dia x 13.25" H	14247
MXB60	60 QT Stainless Steel Mixer Bowl	28 lbs.	19.25" Dia x 16.75" H	14248
MXB80	80 QT Stainless Steel Mixer Bowl	36 lbs.	21.5" Dia x 18.5" H	14249
MXB140	140 QT Stainless Steel Mixer Bowl	65 lbs.	25" Dia x 26" H	18266

MIXER BOWL DOLLY



Model	Description	Weight	Dimensions (Dia x H)	Item #
BD9000	Bowl Dolly, steel-painted fits 30-140 QT bowls	30 lbs.	16.5" Dia x 7.25" H	23512

Universal Attachments

Model	Description	Packaging Weight	Item #
FB200	20 QT flat beater attachments	3 lbs.	10097
FB300	30 QT flat beater attachments	5 lbs.	10098
FB600	60 QT flat beater attachments	7 lbs.	17606
FB800	80 QT flat beater attachments	10 lbs.	17609
FB140	140 QT flat beater attachments	25 lbs.	17612
DH200	20 QT Dough Hook Attachment	4 lbs.	10078
DH300	30 QT Dough Hook Attachment	6 lbs.	10079
DH600	60 QT Dough Hook Attachment	10 lbs.	17607
DH800	80 QT Dough Hook Attachment	17 lbs.	17610
DH140	140 QT Dough Hook Attachment	25 lbs.	17613
WA220	20 QT Whip Attachment	4 lbs.	10237
WA230	30 QT Whip Attachment	6 lbs.	10238
WA260	60 QT Whip Attachment	8 lbs.	17605
WA280	80 QT Whip Attachment	10 lbs.	17608
WA140	140 QT Whip Attachment	19 lbs.	17611



(Not suitable for Model SP200A and SP300A)

Mississauga, Ontario, Canada

Niagara Falls, New York, USA

Tel: (905) 828-0234 Toll-Free: 1-800-465-0234 Fax: (905) 607-0234 Email: sales@omcan.com

www.omcan.com

MIXER ATTACHMENTS



C812HCPL



GRINDER ATTACHMENT

- Fits on #12 Drive Hubs
- Cast Iron Cylinder, Ring & Worm

Model	Description	Packaging Weight	Item #
C812HCPL	Grinder Head # 12 Complete Unit	20 lbs.	10051
C812HCPLSS	Grinder Head # 12 Complete Unit-Stainless Steel	22 lbs.	27142
C822HCPL	Grinder Head # 22 Complete Unit	26 lbs.	10058
C822HCPLSS	Grinder Head # 22 Complete Unit-Stainless Steel	28 lbs.	21229
C812HCY	Grinder Head Cylinder	6 lbs.	10052
C812HRG	Grinder Head Ring	4 lbs.	10053
C812HRWC	Grinder Head Cylinder, Ring, Worm	12 lbs.	10054
C812HWM	Grinder Head Worm	2 lbs.	10055
C812PLS	Grinder Head Stomper	1 lbs.	10056
C812PN	Grinder Head , 10 x 12 Feed Pan	3 lbs.	10057

VEGETABLE SLICER ATTACHMENT

Available with disc holder frame or adjustable S-knife. Fits on #12 Drive Hubs

Model	Description	Packaging Weight	Item #
S-9DH	9" Vegetable Slicer Attach/Complete with Disc Holder and 1 Disc	20 lbs	10139
S-9S	9" Vegetable Slicer Attach/Complete with S Knife	22 lbs.	10140
SDH	Disc Holder Frame	5 lbs.	10143
S-DO	Door Slicer/Shredder Attachment	4 lbs.	10142
S-HO	Housing Slicer/Shredder Attachment	9 lbs.	10147
S-PS	Pusher Slicer/Shredder Attachment	2 lbs.	10149
S-S	Adjustable Slicer Plate with S knife	7 lbs.	10150



S-9DH or S-9S



Disc Holder Frame



S Knife



Mississauga, Ontario, Canada

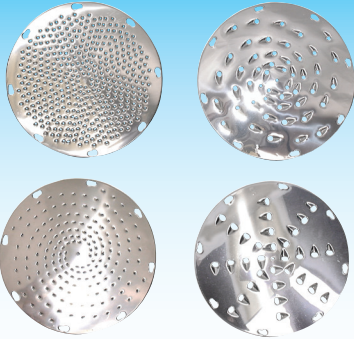
Niagara Falls, New York, USA

Tel: (905) 828-0234 Toll-Free: 1-800-465-0234 Fax: (905) 607-0234 Email: sales@omcan.com

www.omcan.com

MIXER ATTACHMENTS

GRATER AND SHREDDING DISCS

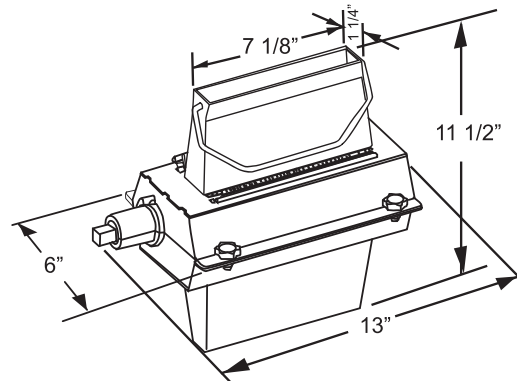
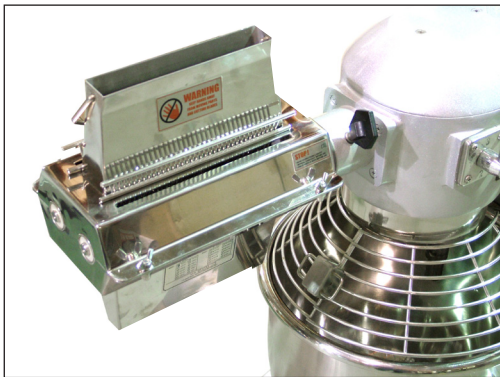


Model	Description	Packaging Weight	Item #
S-9000	Stainless Steel Grater Disc	1 lb.	10132
S0-9120	Stainless Steel Shredder Disc 1/2" Holes	1 lb.	10133
S-9140	Stainless Steel Shredder Disc 1/4" Holes	1 lb.	10134
S-9316	Stainless Steel Shredder Disc 3/16" Holes	1 lb.	10135
S-9516	Stainless Steel Shredder Disc 5/16" Holes	1 lb.	10137
S-9332	Stainless Steel Shredder Disc 3/32" Holes	1 lb.	10136



MEAT TENDERIZER ATTACHMENT

The meat tenderizer provides an easy way to tenderize meat and save your cooking time. It is manually operated and easy to clean. Designed to be attached to any machine with a # 12 universal hub. It comes with a handle, clamp and setting frame for manual operation.



Model	Description	Mouth Opening	Packaging Dimensions	Net Weight	Packaging Weight	Item #
TS737A	Stainless Steel	7" x 1 1/4"	16 1/4" x 14" x 10 1/2"	13 lbs.	15 lbs.	21627

Mississauga, Ontario, Canada

Niagara Falls, New York, USA

Tel: (905) 828-0234 Toll-Free: 1-800-465-0234 Fax: (905) 607-0234 Email: sales@omcan.com

www.omcan.com