



## WOK / JET STOVE



MODEL SMJ-13

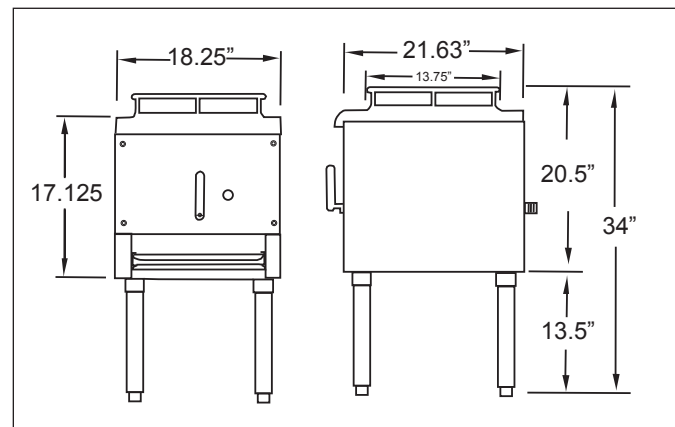
### WOK BURNER

- Stainless steel body
- Heavy duty cast iron top. Inner bowl designed to reduce spill over,
- 125,000 BTU Jet burner for high performance cooking.
- Single 18 tip non-clogging jet burner.
- 13.5" stainless steel legs
- Full width drip pan provided for quick clean ups.

### SPECIFICATIONS

Model	SMJ-13
Description	Stock Pot Jet Burner Stoves
Total B.T.U	125,000
Burners	1
Packaging Weight	135 lbs.
Dimensions (DWH)	18.25" x 21.63" x 34"
Packaging Dimensions	19" x 24.5" x 23.5"
Item #	18228

### DIMENSIONS



Mississauga, Ontario, Canada

Niagara Falls, New York, USA

Tel: (905) 828-0234 Toll-Free: 1-800-465-0234 Fax: (905) 607-0234 Email: sales@omcan.com

[www.omcan.com](http://www.omcan.com)