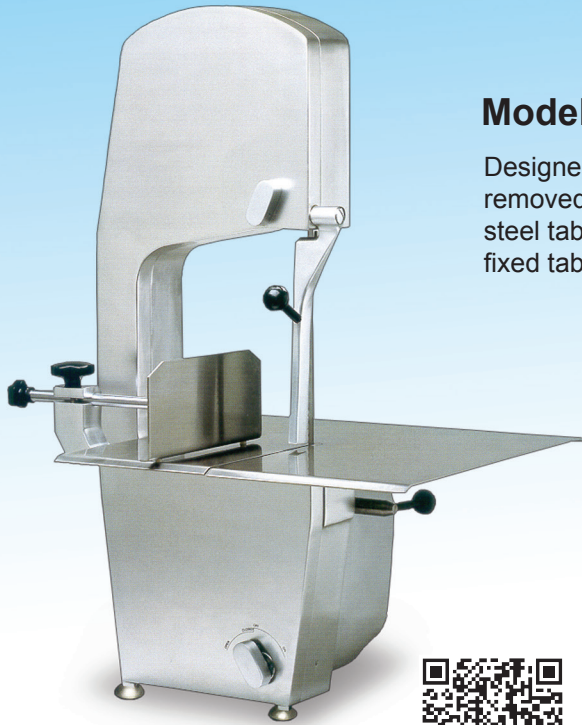




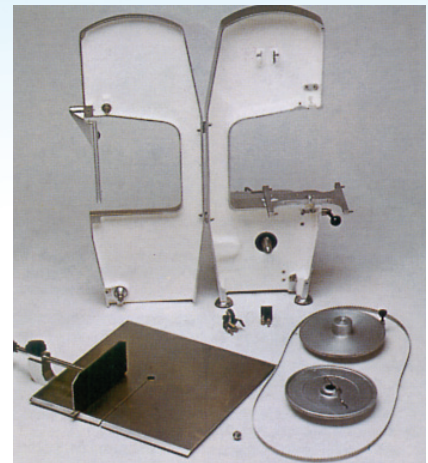
TABLE TOP BANDSAWS



Model T210 / Model T250 / Model S250

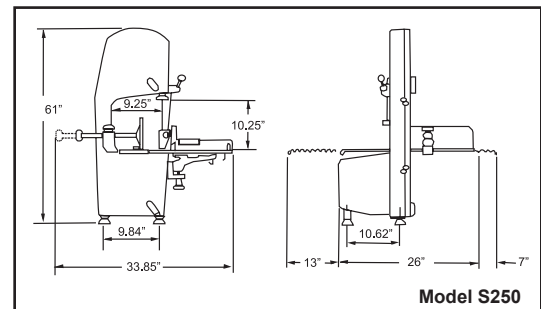
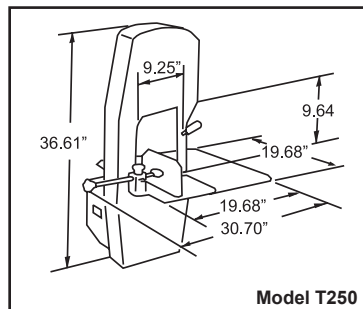
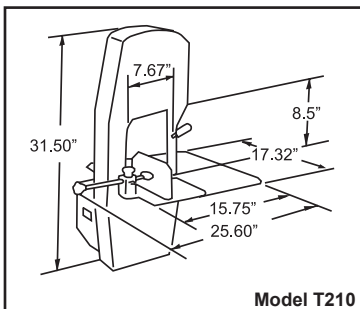
Designed for ease of use. The wheels, guides, and tables are quickly removed without tools. The anodized aluminium chassis and stainless steel table assembly affords quick clean up. The T210 and T250 feature fixed tables. The S250 features an oversized table that slides effortlessly.

All inside surfaces are coated with an anti-stick material that is resistant to acid and meat juices. It is very easy to clean because there are no spaces or grooves where the residues of bone dust can get caught or stuck.



SPECIFICATIONS

Model	Blade Length	Cutting Capacity (H*W)	HP	Electrical	Weight	Packaging Weight	Dimensions (LWH)	Packaging Dimensions	Item #
T210	65"	11" x 8"	1.2	110V/60/1	97 lbs.	95 lbs.	25.5" x 18.5" x 33"	34" x 20" x 18"	10276
T250	78"	11" x 9.25"	1.5	110V/60/1	123 lbs.	168 lbs.	29" x 20" x 38"	26" x 25" x 42"	10277
S250	78"	11" x 9.25"	1.5	110V/60/1	167 lbs.	175 lbs.	34.5" x 26" x 38"	38" x 30" x 42"	10275



Mississauga, Ontario, Canada

Niagara Falls, New York, USA

Tel: (905) 828-0234 Toll-Free: 1-800-465-0234 Fax: (905) 607-0234 Email: sales@omcan.com

www.omcan.com