

TRITON ICE SHAVER



Triton answers modern market demands by producing ice pieces in various sizes. As well as the finely crushed ice for traditional Italian "granita", Triton can also produce ice pieces in larger sizes for cocktails or to decorate cold served dishes or for display.

Triton pays very close attention to operator safety with the addition of a safety microswitch on the feed throat and on the streamlined ice container. The large sized throat is made of aluminium. The streamlined cover design and thermoformed plastic ice tray are suitable for food use.

High production standards are guaranteed by the 350 W motor. Equipped with a ribbed belt.

TRITON

SPECIFICATIONS

Model	TRITON
Horsepower	0.30 HP
Watts	350
Motor	12,000 RPM
Blade Speed	1500 RPM
Bowl Capacity	2 Liters
Crushed Ice Maximum Thickness	10 mm
Electrical	110V/60/1
Net Weight	18.5 lbs.
Dimensions (LWH)	18.30" x 8.25" x 11.61"
Packaging Weight	21 lbs
Packaging Dimensions	21" x 11" x 12"
Item #	17137



Magnetic micro switch on the lever

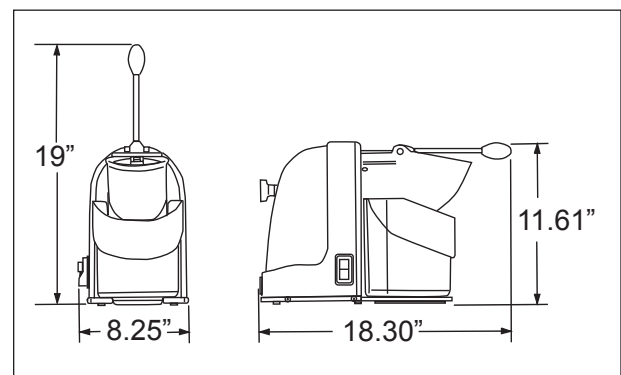


Microswitch on bowl



Thickness adjusting knob

DIMENSIONS



Mississauga, Ontario, Canada

Niagara Falls, New York, USA

Tel: (905) 828-0234 Toll-Free: 1-800-465-0234 Fax: (905) 607-0234 Email: sales@omcan.com

www.omcan.com