



## MANUAL GRIDDLE



Pictured with optional legs.



**Stainless Steel:** Front, ledge and sides.

**Control Knobs:** Durable and cool to the touch.

**Griddle Burner:** 30,000 BTU/hr. "U" type located every 12" for even cooking. One standing pilot per burner.

**Griddle Plate:** 3/4" thick,, polished plate. 24" depth, 2" high stainless steel splash sides.

**Grease Trough:** 3" wide grease trough for easy cleaning.

**Optional Legs:** Set of 4" legs.

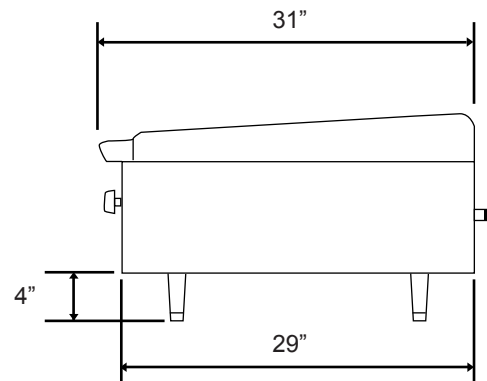
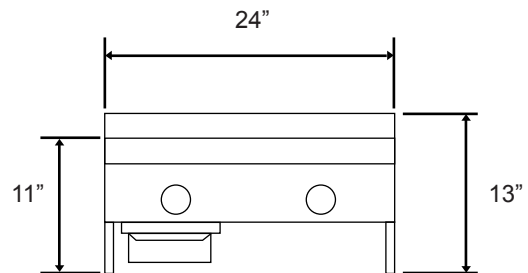


### MANUAL GRIDDLE

Designed for the most demanding food service applications. The 3/4" thick griddle plate is ideal for a variety of cooking requirements. The 24" depth provides a maximum cooking surface

#### SPECIFICATIONS

Model	TSMG-24C
Total B.T.U.	60,000
Burners	2
Griddle Plate	3/4"
Dimensions (DWH)	31" x 24" x 13"
Packaging Weight	205 lbs.
Item #	14497



Mississauga, Ontario, Canada

Tel: (905) 828-0234 Toll-Free: 1-800-465-0234 Fax: (905) 607-0234 Email: sales@omcan.com

www.omcan.com

Niagara Falls, New York, USA