



POPCORN MACHINE

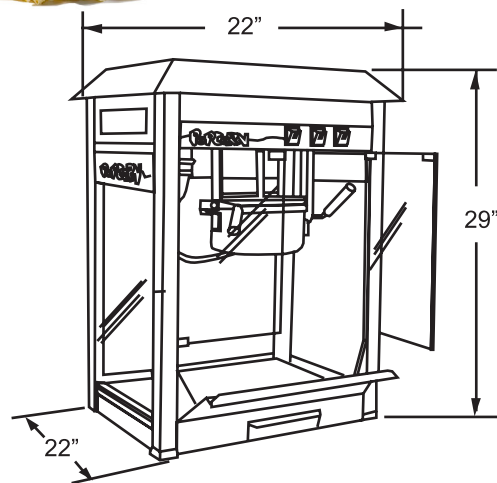
Popcorn Machine

The VBG802 is constructed of stainless steel and aluminum along with tempered glass panels to provide durability and easy maintenance. Perfect for concession stands.



SPECIFICATIONS

Model	VBG802
Watts	1300
Temperature	220° - 260°C
Inner Dimension (DWH)	13.25" x 18" x 20"
Efficiency	3-5 mins. per tray
Kettle Volume	8 oz. / 1 cup
Bowl Diameter	Inside Ø: 8" x 2.75" H
Electrical	110V / 60 / 1
Weight	51.7 lbs.
Packaging Weight	55 lbs.
Dimension (LWH)	16.5" x 22" x 29"
Packaging Dimensions	20" x 26" x 34"
Item #	11391



Mississauga, Ontario, Canada

Niagara Falls, New York, USA

Tel: (905) 828-0234 Toll-Free: 1-800-465-0234 Fax: (905) 607-0234 Email: sales@omcan.com

www.omcan.com