



2 BULB HEAT LAMP



MODEL WL-500

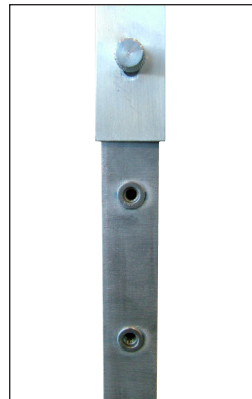
- Ventilated Aluminum Reflectors with food tray.
- Heat lamps warm the tray within 5 minutes of turning them on.
- Equipped with durable infrared bulbs.

SPECIFICATIONS

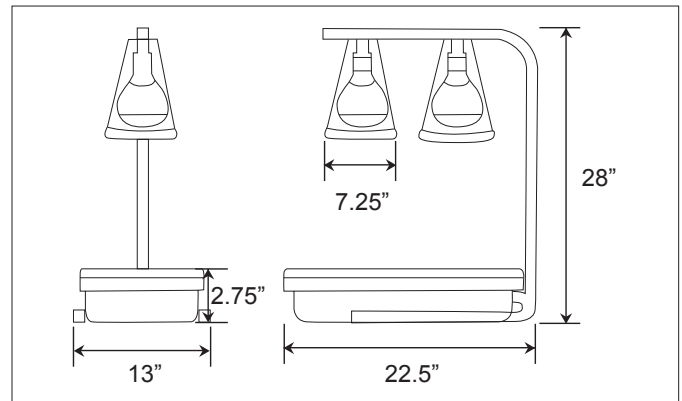
Model	WL-500
Electrical	110V/60Hz
Power	500W
Length of Cord	78.74"
Base to Bulb (Default Height)	15"
Base to Bulb (Max Height)	21"
Protector	Safety Switch
Weight	6 lbs.
Packaging Weight	10 lbs.
Dimensions (DWH)	22.5" x 13" x 28"
Packaging Dimensions	22" x 16" x 11"
Item #	21637

HEIGHT ADJUSTMENT

- Default height from base to bulb: 15"
- Max height from base to bulb: 21"



DIMENSIONS



Mississauga, Ontario, Canada

Tel: (905) 828-0234 Toll-Free: 1-800-465-0234 Fax: (905) 607-0234 Email: sales@omcan.com

www.omcan.com

Niagara Falls, New York, USA