



# MJ45 and MJ45-2 Gas Fryers

Project \_\_\_\_\_  
 Item \_\_\_\_\_  
 Quantity \_\_\_\_\_  
 CSI Section 11400 \_\_\_\_\_  
 Approval \_\_\_\_\_  
 Date \_\_\_\_\_

MJ45 and MJ45-2 Gas Fryers -- Domestic & Export

## Models

- MJ45                       MJ45G                       MJ45E  
 MJ45-2                   MJ45G-2                   MJ45E-2



MJ45  
Shown with optional casters.

## Standard Features

### MJ45

- Open-pot design is easy to clean
- Master Jet burner system distributes heat evenly for efficient heat exchange and quick recovery
- Millivolt controller, no electric connection required
- Reliable, centerline, fast-action temperature probe
- Thermostat knob behind front panel
- Deep cold zone, 1-1/4 in. (3.2 cm) IPS ball-type drain valve
- Stainless steel frypot and door, enamel cabinet
- Two twin baskets
- 6" (15.2 cm) legs with 1" (2.5 cm) adjustment
- Gas connection -- see chart on back

### MJ45 Full Frypot

- 50-lb (25-liter\*) oil capacity
- 122,000 Btu/hr. input (30,730 kcal) (35.8 kw)
- Frying area 14" x 15" x 5" (35.6 x 38.1 x 12.7 cm)

### MJ45-2 Split Frypot

- 25-lb (12-liter\*) oil capacity
- 63,500 Btu/hr. input (15,995 kcal) (18.6 kw)
- Frying area 7" x 15" x 4-3/4" (17.8 x 38.1 x 12.1 cm)

### MJ45G

- Thermostat knob on front panel

### MJ45E

- Thermostat controller
- Signal lights, on-off switch

## Options & Accessories

- Built-in filtration available on single frypot fryers including a spreader cabinet and on multiple frypot batteries -- 2 to 6 fryers can be battered to right side of filter. Must upgrade to G and E models.
- CM3.5, Electronic Timer, Digital or Analog controllers (MJ45E only)
- Electronic ignition (must use one of the above controllers) (MJ45E only)
- Automatic basket lifts (MJ45G and E models only\*)
- Piezo ignitor
- On/Off toggle switch (MJ45 only)
- Shortening melt cycle control (MJ45E)
- Spreader cabinet
- External Oil Discharge -- call Customer Service for availability
- Frypot cover
- Casters
- Fish plate
- Stainless steel cabinet

See Frymaster domestic price list for other available options and accessories.

\*Standard with count-down timer for MJ45G; standard with electronic timer controller for MJ45E.

## Specifications

### Unsurpassed in their versatility, proven worldwide performance and low maintenance needs

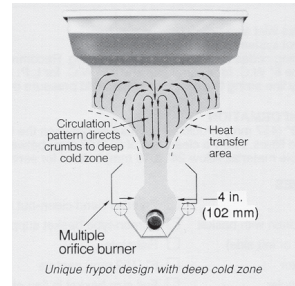
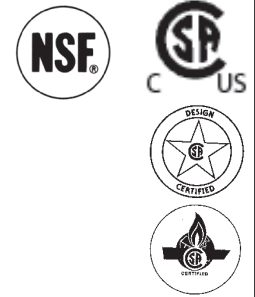
The MJ45 gas fryers are unsurpassed in their versatility, controlled performance and low maintenance needs. Whether it is a single fryer or a fryer with a built-in filtration system, the MJ45 fryers offer options that accommodate a wide range of frying needs -- everything from French fries, pre-breaded products to specialty foods.

The Master Jet burner system distributes heat evenly around the frypot, generating a large heat-transfer area for efficient exchange and quick recovery. They have earned a legendary reputation for durability and reliability. The MJ burners require no burner cleaning or air shutter adjustment. The reliable centerline fast-action temperature probe assures accurate temperatures for efficient heat-up, cooking and recovery.

The large cold zone and forward sloping bottom help collect and remove sediment from the frypot to safeguard oil quality and support routine frypot cleaning. The standard front flush feature deflects oil out from the back of the frypot, moving sediment to the front drain valve for easy and thorough removal.

Built-in filtration is available with up to six fryers battered together into a single system, or with single MJ45G and E model fryers and a spreader cabinet. The spreader can include an optional heat lamp and holding station. The holding station can use either cafeteria-style or scoop-type pan. The heat lamp and pans are integrated into the cabinet, making a complete warming station.

\*Liter conversions are for solid shortening @ 70°F

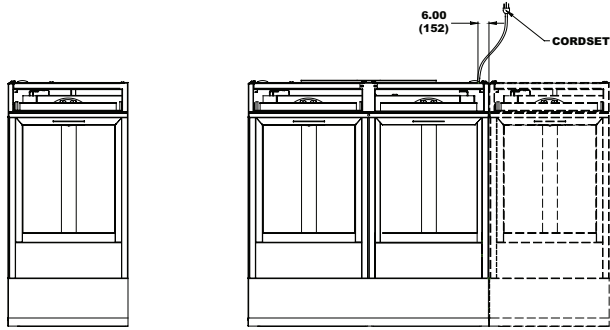


8700 Line Avenue  
 Shreveport, LA 71106-6800  
 USA

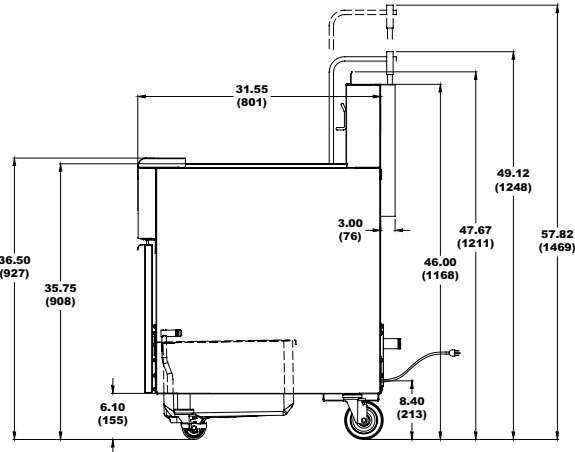
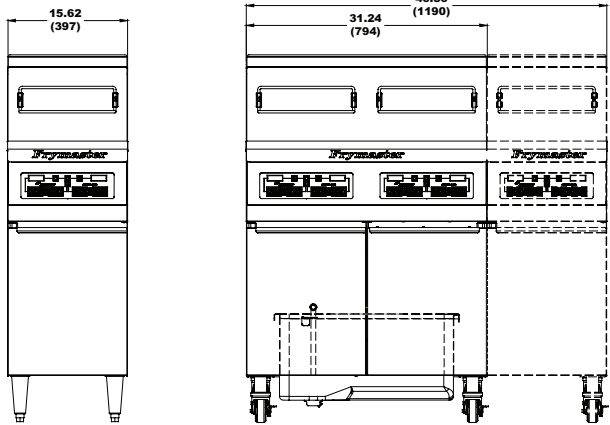
Tel: 318-865-1711  
 Tel: 1-800-221-4583  
 Fax: 318-868-5987  
 E-mail: info@frymaster.com

www.frymaster.com  
 Bulletin No. 818-0057  
 Revised 6/18/13





Frymaster Gas Connection Requirements	
No. of Fryers	Gas Connection Size (With or Without Filtration)
1	3/4"
2-3	One 1"
4-6	Two 1"



INCHES  
(MM)

**DIMENSIONS**

MODEL NO.	OIL CAPACITY	OVERALL SIZE (cm)			DRAIN HEIGHT	NET WEIGHT	SHIPPING INFORMATION					
		WIDTH	DEPTH	HEIGHT			WEIGHT	CLASS	CU. FT.	DIMENSIONS (cm)		
Without Basket Lifts	50 lbs. (25 liters)	15-5/8" (40.0)	31-1/2" (80.1)	46" (116.8)	10-5/8" (27.0 cm)	145 lbs. (66 kg)	202 lbs. (91.6 kg)	85	21	W 22" (56.0)	D 36" (91.4)	H 46-1/2" (108)
With Basket Lifts*	50 lbs. (25 liters)	15-5/8" (40.0)	34-1/2" (87.6)	57-7/8" (146.9) raised	10-5/8" (27.0 cm)	185 lbs. (84 kg)	281 lbs. (127.5 kg)	85	21	22" (56.0)	36" (91.4)	46-1/2" (108)

\*Any unit purchased with basket lifts requires casters to be purchased also.

**POWER REQUIREMENTS**

MODEL NO.	BASIC DOMESTIC OPTIONS		
	CONTROLS/FRYPOT	FILTER	BASKET LIFTS/FRYPOT
MJ45/MJ45-2 MJ45G/MJ45G-2 (without filter)	N/A (millivolt controller)		
MJ45G/MJ45G-2/MJ45E/MJ45E-2 MJ45EM/MJ45EM-2	120V 1 A 220V 1 A	120V 8 A 220V 5 A	120V 3 A 220V 2 A

**HOW TO SPECIFY**

The following description will assist with ordering the features desired:

MJ45 50-lb. performance, open-pot gas fryer with millivolt controls; centerline, fast-action temperature probe; thermostat knob behind front panel. Option for front panel knob placement.

MJ45G 50-lb. performance, open-pot gas fryer with millivolt controls; centerline, fast-action temperature probe; thermostat knob on front panel.

MJ45E 50-lb. performance, open-pot gas fryer with thermostat controller; centerline, fast-action temperature probe.

-2 Split frypot  
SD Stainless-steel frypot and door, enamel cabinet  
SC Stainless-steel frypot, door and cabinet

**NOTES**

- Supply voltage 120V 60 Hz -- Control Voltage 24V 60 Hz. 120 VAC 5 ft. (1.5 m) grounded cord set.
- 1-1/2" (3.8 cm) kitchen main manifold gas supply line required. Gas inlet size (I.D.) should be no smaller than that provided for connection to the fryers. See service manual and/or plumbing codes for proper pipe sizing. Recommended minimum store manifold pressure to be 6" W.C. for natural gas and 11" W.C. for L.P. gas. Check plumbing codes for proper supply line sizing to attain burner manifold pressure of 3.5" W.C. natural or 8.25" W.C. L.P.

**• DO NOT CURB MOUNT**

**CLEARANCE INFORMATION**

- A minimum of 24" (61 cm) should be provided at the front of the unit for servicing and proper operation, and 6" (15.2 cm) between the sides and rear of the fryer to any combustible material.

8700 Line Avenue  
Shreveport, LA 71106-6814  
USA

Tel: 318-865-1711  
Tel: 1-800-221-4583  
Fax: 318-868-5987  
E-mail: info@frymaster.com

www.frymaster.com  
Bulletin No. 818-0057  
Revised 6/18/13  
Litho in U.S.A. ©Frymaster

