



# Designer Series Electric Broilers

Item: \_\_\_\_\_  
 Quantity: \_\_\_\_\_  
 Project: \_\_\_\_\_  
 Approval: \_\_\_\_\_  
 Date: \_\_\_\_\_

Designer Series Electric Broilers

### Models:

- ED-15B       ED-30B       ED-42B  
 EDU-15B       EDU-30B       EDU-42B



Model ED-15B

### Standard Features:

- Stainless steel front and sides
- Easy clean design with recessed protected controls and ample space between elements and side splash walls
- Grate lift handle
- Concealed grease drawer
- Heat-On indicator lamps
- Infinite switch controlled; one per foot of width
- One-Year limited parts & labor warranty (USA & Canada only)
- "CE" approved models have prefix EDU

### Optional Features:

- Stainless steel back and bottom
- Broiler splatterguard, 15" (381mm), 30" (705mm) and 42" (1067mm) wide. S/S comes in 3 pieces which adds 10" to top section of broiler.
- 24" (610mm) wide nickel plated shelf to fit 30" (705mm) splatterguard or 36" (914mm) shelf to fit 42" (1067mm) splatterguard, please specify.

Note : Stands are available see form # CS24/CSD

### Specifications:

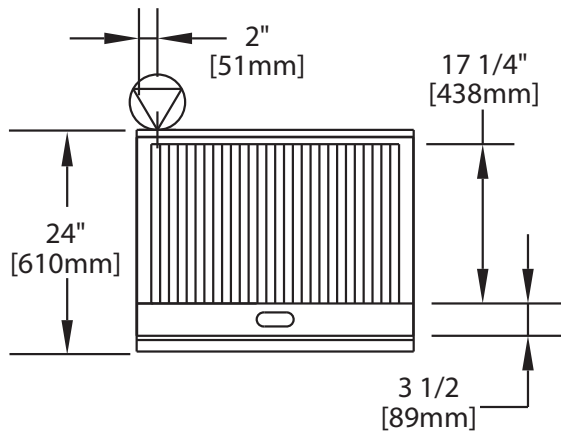
Electric designer series broilers in three widths: models ED-15B, 15" (381mm) wide; ED-30B, 30" (706mm) wide and ED-42B, 42" (1067mm) wide. Each 12" (305mm) section controlled by an infinite switch. Designed as free standing or to be banked with other ED series equipment. 24" (610mm) deep x 13- 3/4" (349mm) high, easy clean design with stainless steel front and black painted sides, concealed grease drawer behind lower hinged panel, grate lift handle and optional broiler splatter shield. Ribs in grate give distinct brand.



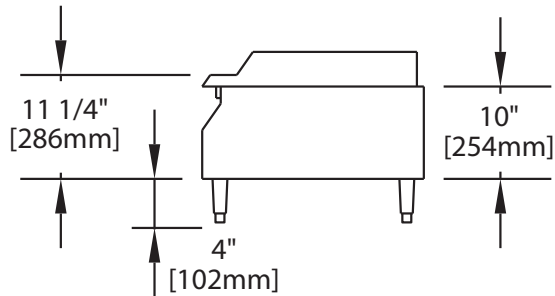
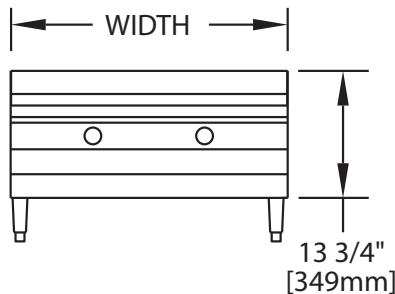
Models	Total kW Load				Nominal Amperes Per Line							
					North America				Export			
	North America		Export		Single Phase		Hi Line -3 Phase		Single Phase		Hi Line - 2 or -3 Phase	
	208V	240V	220V/380V	240V/415V	208V	240V	208V	240V	220V/380V	240V/415V	220V/380V	240V/415V
ED-15B, EDU-15B	2.7	2.7	2.7	2.7	13	12	N/A	N/A	13	12	N/A	N/A
ED-30B, EDU-30B	5.4	5.4	5.4	5.4	26	23	23	20	25	23	13	12
ED-42B, EDU-42B	8.1	8.1	8.1	8.1	39	34	23	20	37	34	13	12

Model	Overall Dimensions			Usable Cooking Surface		Cu. Ft.	Ship Wt. Lb/kg
	Height	Width	Depth	Width	Depth		
ED-15B	13-3/4" (349mm)	15" (381mm)	24" (610mm)	11-1/2" (292mm)	19" (483mm)	6	70/41
ED-30B	13-3/4" (349mm)	30" (762mm)	24" (610mm)	23" (584mm)	19" (483mm)	9	100/45
ED-42B	13-3/4" (349mm)	42" (1067mm)	24" (610mm)	34-1/2" (876mm)	19" (483mm)	17	145/66

Garland products are not approved or authorized for home or residential use, but are intended for commercial applications only. Garland will not provide service, warranty, maintenance or support of any kind other than in commercial applications.



Installation Clearances	
Side	Rear
9" (229mm)	9" (229mm)



Form# ED-15B, ED-30B, ED-42B (08/30/12)