



G2000 Series Deck Oven

Item: _____
 Quantity: _____
 Project: _____
 Approval: _____
 Date: _____

G2000 Series Deck Oven

Models:

- G2071 G2121 G2121-71
 G2072 G2122 G2121-72
 G2073



Model G2071

Model G2121

Standard Features:

- Stainless steel front, sides, top, back and legs
- Snap/throttle temperature control 150°F (66°C) to 500°F (260°C)
- Balanced oven door opens full width, level with deck
- Controls outside the heat zone - front serviceable
- Canopy draft diverter provided - standard
- Bake Oven: 1" (25 mm) Hearthhite deck with 7" interior height
- Roast Oven: 12 gauge steel hearth deck with 12" interior height
- Roast Oven: removable Intermediate Shelf

Optional Features:

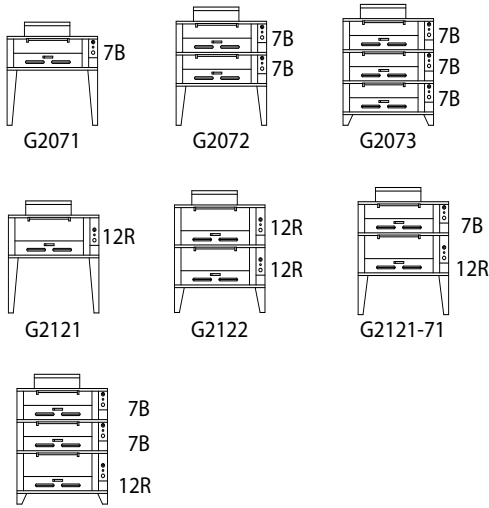
- Direct connect vent - no charge -specify
- Bake sections only:**
- 12 gauge steel hearth in lieu of Hearthhite deck
- Roast sections only:**
- 1" (25mm) Hearthhite deck in lieu of steel hearth

Specifications:

Bake Oven: G2000 Series Gas Bake and General Purpose Deck Ovens with stainless steel front, sides, and legs. Aluminized top and back panels. 7" high baking/general purpose compartments, 42" (1067mm) Wide x 32" (813mm) Deep, with two "U" shaped burners, controlled by a heavy duty "snap/throttle" thermostat 150°F (66°C) to 500°F (260°C), heating heavy steel tread plate below the 1" (25 mm) thick Hearthhite deck.

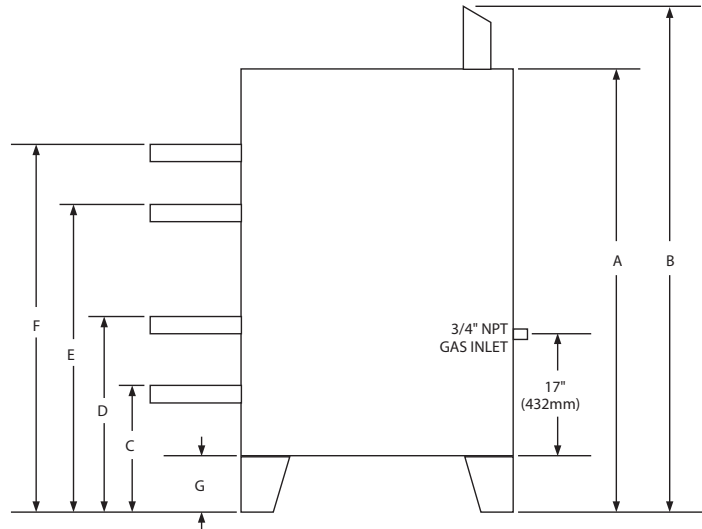
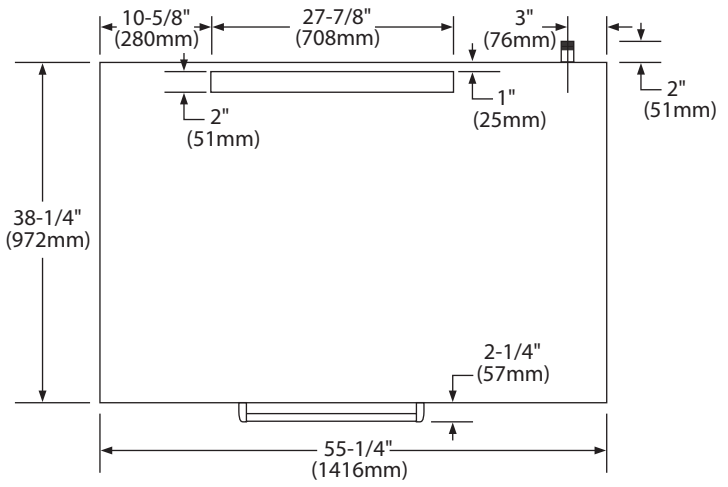
Roast Oven: G2000 Series Gas Roast Deck Ovens with stainless steel front, sides, and legs. Aluminized top and back panels. 12" high compartments, 42" (1067mm) Wide x 32" (813mm) Deep, with two "U" shaped burners, controlled by a heavy duty "snap/throttle" thermostat, 150°F (66°C) to 500°F (260°C) heating heavy, 12 gauge steel hearth deck.





G2121-72

7B = 7" Bake
 12R = 12" Roast



All Models	Natural	Propane
Manifold Operating Pressure	5.5" WC (13.7 Mbar)	10.0" WC (24.9 Mbar)
Minimum Supply Pressure	7.0" WC (17.4 Mbar)	11.0" WC (27.4 Mbar)

Clearances To Combustible Wall	
Sides	Back
1" (25mm)	6" (152mm)

MODEL	A: In (mm)	B: In (mm)	C: In (mm)	D: In (mm)	E: In (mm)	F: In (mm)	G: In (mm)	Total BTU
G2071	50(1270)	58(1473)	40.5(1664)				31(787)	40,000
G2072	58.5(1270)	66.5(1689)	31.5(800)	49(1283)			22(559)	80,000
G2073	60(1524)	68(1727)	15.5(394)	33(838)	50.5(1283)		6(152)	120,000
G2121	55(1397)	63(1600)	40.5(1664)				31(787)	40,000
G2122	60.5(1537)	68.5(1740)	23.5(597)	46(1168)			14(356)	80,000
G2121-71	63.5(1613)	71.5(1816)	31.5(800)	54(1372)			22(559)	80,000
G2121-72	65(1651)	73(1854)	15.5(394)	38(965)	55.5(1410)		6(152)	120,000

Form# G2000 (05/03/13)