



Air Deck Gas Deck Ovens

Item: _____
 Quantity: _____
 Project: _____
 Approval: _____
 Date: _____

Air Deck Gas Deck Ovens

Models:

- G56PB G56PT G56PT/B



Model G56PT

Standard Features:

- Stainless Steel Front, Sides, Top, Back and Legs
- Porcelainized Control Panel
- Full Deck Width, Balanced Spring-Loaded Door
- Stainless Steel Perforated Deck
- Adjustable Legs
- Electronic Ignition
- Snap Action Thermostat (550° F Max.)
- Heat Control Damper System
- Forced Air Combustion Burner; 80,000 BTU
- Single Speed Fan with ¾ HP Motor
- 55.5"W x 35.75"D Deck Surface
- 63"W x 45"D Floor Space
- 53"W' x 7½"H Door Opening
- One Year Limited Parts and Labor Warranty (USA & Canada only)

Optional Features:

- Direct Connect Vent - No charge

AIR DECK

Specifications:

Unique energy delivery system driven by controlled hot air flow designed for high volume operation. Offers minimum preheat time; no recovery time; consistent selected temperatures; high quality production, and menu versatility. Available in natural or propane gas.



Model G56PT/B

Garland Commercial Ranges Ltd
 1177 Kamato Road,
 Mississauga, Ontario
 L4W 1X4 CANADA

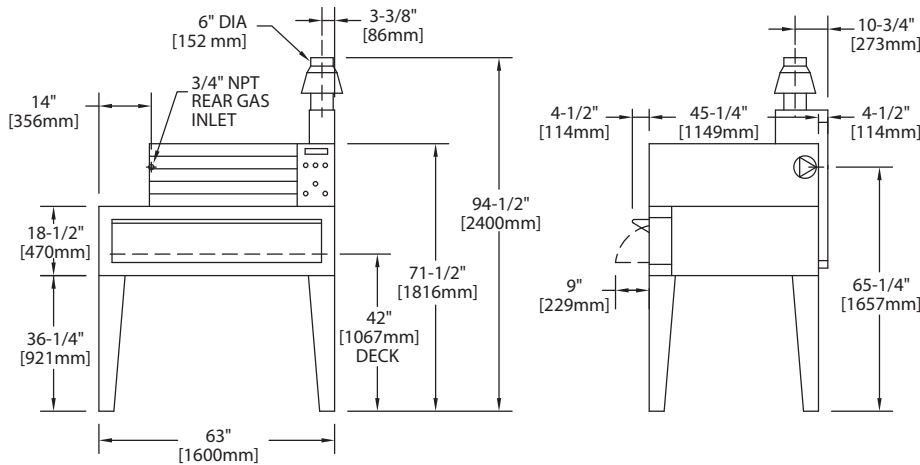
General Inquires 1-905-624-0260
 USA Sales, Parts and Service 1-800-424-2411
 Canadian Sales 1-888-442-7526
 Canada or USA Parts/Service 1-800-427-6668



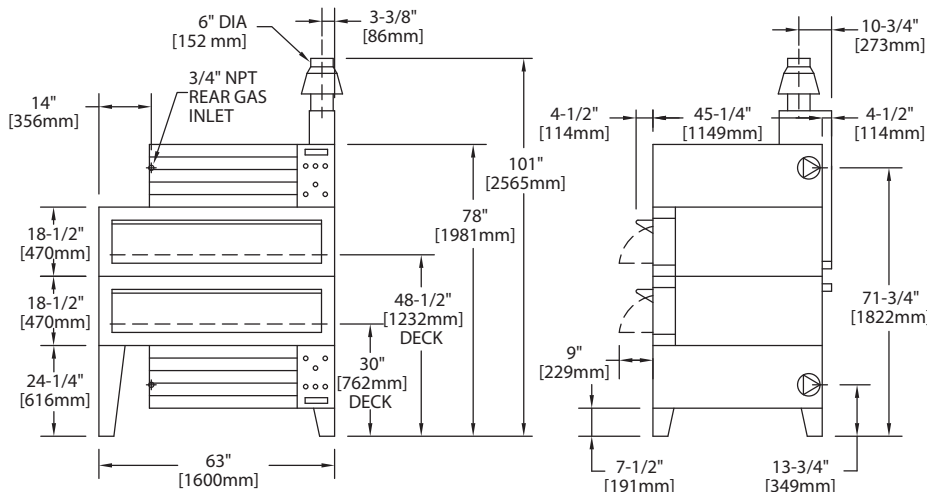
| MODEL | INPUT (BTU) | DECK : In (mm) | | PIZZA CAPACITY | MOTOR | Cu Ft | Ship WT. lb/Kg |
|---------|-------------|----------------|---------------|----------------|--|-------|----------------|
| | | WIDTH | DEPTH | | | | |
| G56PB | 80,000 | 35.75(908) | 55.5(1410) | (6) 18" | 120V, 1PH, 60Hz 15 Amps (1 per deck) | 95 | 1000 /455 |
| G56PT | 80,000 | 35.75(908) | 55.5(1410) | (6) 18" | | 95 | 1000 /455 |
| G56PT/B | 160,000 | 2@35.75(908) | 2 @55.5(1410) | (12) 18" | | 190 | 2000 /910 |

Gas input ratings shown here are for installations tip to 2,000 feet (610mm) above sea level.
BTU input ratings must be derated for high altitude installations.

| MANIFOLD OPERATING PRESSURE | | MINIMUM CLEARANCES | | | | |
|-----------------------------|----------|----------------------------------|------------|------------|--------------|-----------------|
| | | Installation to Combustible Wall | | | Entry | |
| Nat | Pro | Sides | Rear | Base | Crated | Uncrated |
| 3.5" WC | 10.0" WC | 6" (152mm) | 6" (152mm) | 8" (203mm) | 45" (1143mm) | 35-1/2" (902mm) |



Deck with top power module and Direct Connect Venting



Deck (1) top power module (1) bottom power module and Direct Connect Venting

Form# G56 (05/03/13)