



Item: _____

Quantity: _____

Project: _____

Approval: _____

Date: _____

Heavy Duty Gas Step-Up Hot Plates

Heavy Duty Gas Step-Up Hot Plates

Models:

- GTOG24-SU4 GTOG36-SU6 GTOG48-SU8



Model GTOG24-SU4

Standard Features:

- SS front, sides and back
- 4" SS adjustable legs
- 3/4" NPT gas regulator with "T" gas manifold connection for straight through rear or flush-mount gas connections.
- SS front rail; 4" (102mm) deep overall with 3 1/2" (89mm) top work surface
- SS large capacity crumb tray
- Split ergonomic grates which are easy to handle and clean
- Pilots are protected from spills
- 30,000 BTU (Natural Gas) Starfire Pro 2-piece star shaped gas burners
- Burners are controlled with individual adjustable valve
- Models are available with 2, 4, 6, and 8 open-top burners

Optional Features:

- Stainless steel skirt for dias/ counter surface mounting. The stainless steel skirt will reduce overall unit height by 1 3/4" (44.45mm).
- Stainless stand with solid top and holding shelves, and adjustable feet
- Stainless stand with solid top and holding shelves, and casters, (locking front)
- Removable stainless steel attachment condiment rail with universal 1/9 or 1/3 food pan cut outs (pans supplied by others)

Garland designed these heavy duty counter hot plates for high-volume production, while offering the flexibility to match up with a full counter lineup. Models available with 2, 4, 6 and 8 open top burner combinations.

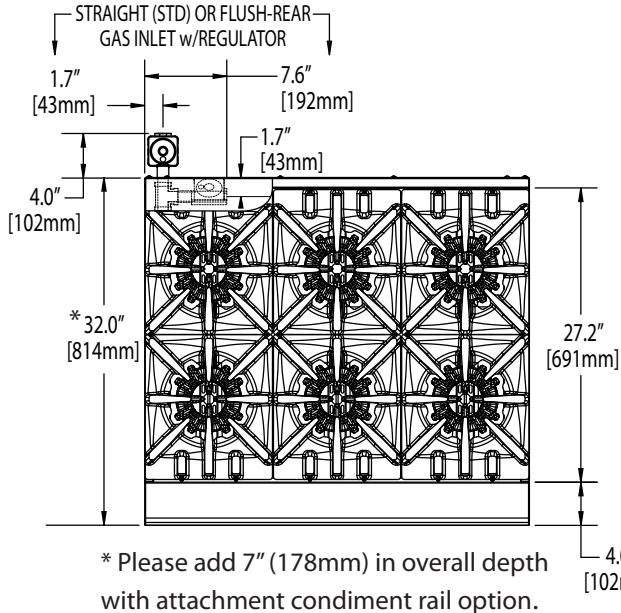
Available in nominal imperial widths 24" (600mm) to 48"(1200mm) with 19-13/16" (503mm) height, and 32" (814mm) depth. Split ergonomic cast iron grates protect pilots from spill-overs, and are easy to handle and clean. Each individually valve-controlled burner is rated at 30,000 BTU/h (8.78 kW) natural gas or 27,000 BTU/h (7.91 kW) propane gas. Stainless steel front, sides and back with large capacity stainless steel crumb tray.



Garland Commercial Ranges Ltd.
1177 Kamato Road,
Mississauga, Ontario
L4W 1X4 CANADA

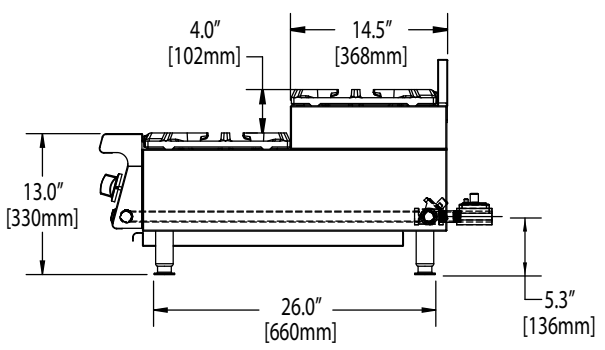
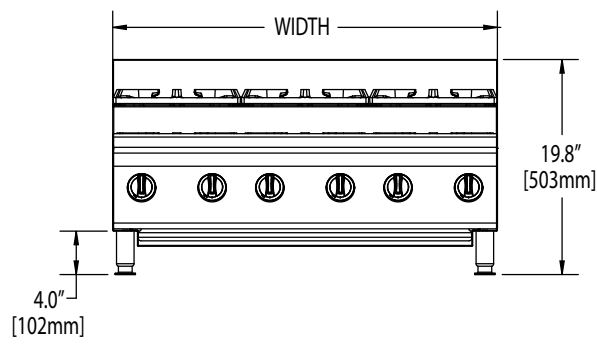
General Inquires 1-905-624-0260
USA Sales, Parts and Service 1-800-424-2411
Canadian Sales 1-888-442-7526
Canada or USA Parts/Service 1-800-427-6668





For use with Natural or Propane gas only. Gas input ratings shown for installations up to 2000 ft., (610m), above sea level. Please specify altitudes over 2000 ft. and gas type when ordering.

Garland/U.S. Range products are not approved or authorized for home or residential use, but are intended for commercial applications only. Garland/U.S. Range will not provide service, warranty, maintenance or support of any kind other than in commercial applications.



Model #	Width In (mm)	Height (w/std legs)	Depth In (mm)	Total Input (BTU)		Shipping Information	
				NAT	PRO	Lbs/Kg	Cu Ft
GTOG24-SU4	23-5/8 (600)	19-13/16 (503)	32 (814)	120,000	108,000	135/61	8
GTOG36-SU6	35-7/16 (900)			180,000	162,000	191/87	25
GTOG48-SU8	47-1/4 (1200)			240,000	216,000	247/112	33

SUPPLY OPERATING PRESSURE				MANIFOLD OPERATING PRESSURE				CLEARANCES	
NATURAL GAS		PROPANE		NATURAL GAS		PROPANE		INSTALLATION TO COMBUSTIBLE	
"WC	MBar	"WC	Mbar	"WC	MBar	"WC	Mbar	Sides	Rear
7	17.5	11	27.5	4.5	11	10	24.5	7" (178mm)	6" (152mm)

Form# GTOG-SU .(04/10/12)