



# Master Series High-Shelves

Item: \_\_\_\_\_  
 Quantity: \_\_\_\_\_  
 Project: \_\_\_\_\_  
 Approval: \_\_\_\_\_  
 Date: \_\_\_\_\_

Master Series High-Shelves

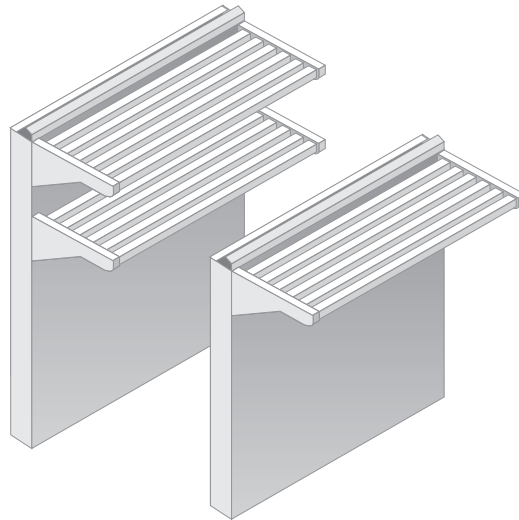
### Models:

#### DOUBLE DECK HIGH-SHELVES

- |                                |                                |                                |                                |                                |
|--------------------------------|--------------------------------|--------------------------------|--------------------------------|--------------------------------|
| <input type="checkbox"/> M17DD | <input type="checkbox"/> M24DD | <input type="checkbox"/> M29DD | <input type="checkbox"/> M34DD | <input type="checkbox"/> M41DD |
| <input type="checkbox"/> M46DD | <input type="checkbox"/> M48DD | <input type="checkbox"/> M51DD | <input type="checkbox"/> M58DD | <input type="checkbox"/> M68DD |

#### SINGLE DECK HIGH-SHELF

- |                                |                                |                                |                                |                                |
|--------------------------------|--------------------------------|--------------------------------|--------------------------------|--------------------------------|
| <input type="checkbox"/> M17SD | <input type="checkbox"/> M24SD | <input type="checkbox"/> M29SD | <input type="checkbox"/> M34SD | <input type="checkbox"/> M41SD |
| <input type="checkbox"/> M46SD | <input type="checkbox"/> M48SD | <input type="checkbox"/> M51SD | <input type="checkbox"/> M58SD | <input type="checkbox"/> M68SD |



### Specifications:

Double and Single Deck High Shelves are precision-designed to install with all Master Series ranges, and attachments up to a maximum width of 68 inches, (1728mm), (other sizes can be special-ordered). Shelves constructed of 1" (25mm) square tubing with 1" (25mm) spaces between each tube, provide convenient storage for condiments and cooking utensils.

### Standard Features

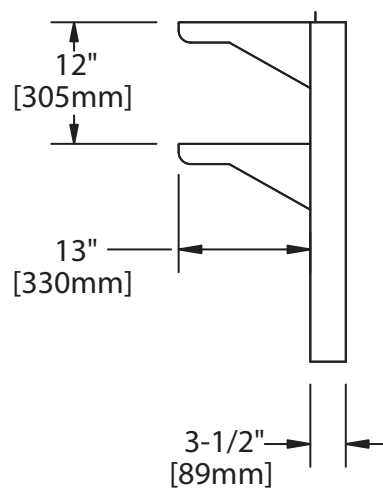
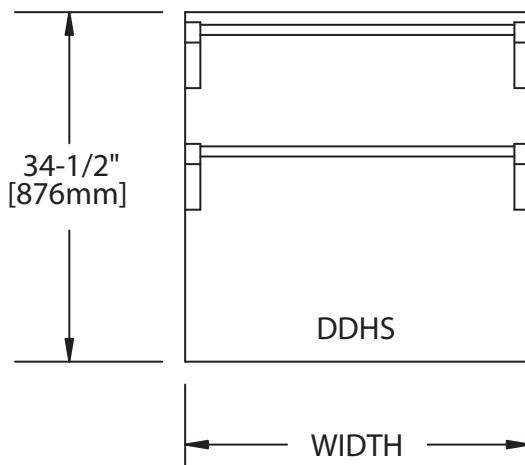
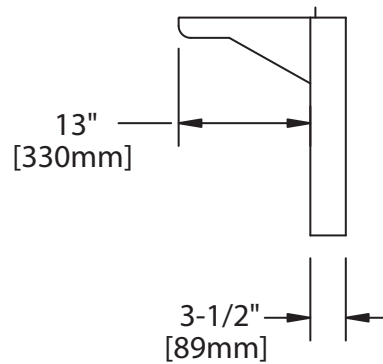
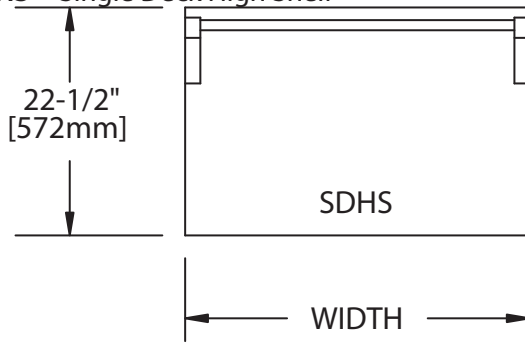
- Stainless steel front and both sides are standard
- Provides recommended emit venting for safe & efficient operation of all Master Series ranges attachments, open broilers and fryers.
- Designed for easy and precise attachment to all Master Series ranges and equipment
- Available optional stainless steel main back
- Available in range of ten, (10), standard sizes up to a maximum of 68 inches, (1728mm)



DIMENSIONS:				
Model Prefix	Width	Depth		
	All Models	All Models	DDHS	SDHS
M17	17" (433mm)	16-1/2" (419mm)	34-1/2" (1734mm)	22-1/2" (574mm)
M24	24" (612mm)	16-1/2" (419mm)	34-1/2" (1734mm)	22-1/2" (574mm)
M29	29" (737mm)	16-1/2" (419mm)	34-1/2" (1734mm)	22-1/2" (574mm)
M34	34" (867mm)	16-1/2" (419mm)	34-1/2" (1734mm)	22-1/2" (574mm)
M41	41" (1045mm)	16-1/2" (419mm)	34-1/2" (1734mm)	22-1/2" (574mm)
M46	46" (1168mm)	16-1/2" (419mm)	34-1/2" (1734mm)	22-1/2" (574mm)
M48	48" (1224mm)	16-1/2" (419mm)	34-1/2" (1734mm)	22-1/2" (574mm)
M51	51" (1300mm)	16-1/2" (419mm)	34-1/2" (1734mm)	22-1/2" (574mm)
M58	58" (1479mm)	16-1/2" (419mm)	34-1/2" (1734mm)	22-1/2" (574mm)
M68	68" (1734mm)	16-1/2" (419mm)	34-1/2" (1734mm)	22-1/2" (574mm)

DDHS = Double Deck High Shelf

SDHS = Single Deck High Shelf



Form# MHS (03/12/12)