



# Master Series Even Heat Hot Top Range Attachment

Item: \_\_\_\_\_  
 Quantity: \_\_\_\_\_  
 Project: \_\_\_\_\_  
 Approval: \_\_\_\_\_  
 Date: \_\_\_\_\_

Master Series Even Heat Hot Top Range Attachment

**Models:**

- M6S                       M6T

**17" Range Attachment With Even Heat Hot Top**



*Model M6S*

**Standard Features:**

- Stainless steel front and sides
- Stainless steel door on storage base
- 6" (152mm) chrome steel adjustable legs
- 7-1/2" (191mm) stainless steel front rail
- Extra heavy cast iron top sections
- Stainless steel burner box bottom
- Storage base interior of aluminized steel
- 17" (432mm) wide even-heat hot top steel plate
- One 30,000 BTU (8.79 kW) cast iron burner

- Gas shut off valve; 3/4", 1" or 1-1/4" NPT
- Gas flex hose & quick disconnect (3/4", 1" or 1-1/4" NPT x 5') w/restraining device, please specify
- Rear gas connection, 3/4" & 1" NPT
- End caps and cover (NC, specify)
- Swivel casters (4) w/front brakes
- Polyurethane non-marking swivel casters (4) w/front brakes
- 6" (152mm) stainless steel adjustable legs
- Modular stand, (T model)
- Dais base, (S model w/o legs)
- Storage base shelf of aluminized or stainless steel
- Stainless steel tubular high shelf, single or double deck
- Stainless steel backguard: 10" (354mm), 17" (432mm) or 33" (838mm) H

**Optional Features:**

- Stainless steel main back
- Stainless steel common front rail up to 68" (1728mm) wide (two or more units in a battery)
- Gas regulator 3/4" or 1-1/4"

**Specification:**

Heavy-duty gas range attachment with storage base, Model M6S. One (1) even-heat hot top. 17" (432mm) wide x 38" (965mm) deep, including 7 1/2" (191mm) deep stainless steel front rail. Stainless steel front and sides. 30,000 BTU (8.79 kW) total. Natural or propane gas. Also available with modular top, suffix T.



NOTE: Attachments supplied with casters must be installed with an approved restraining device.



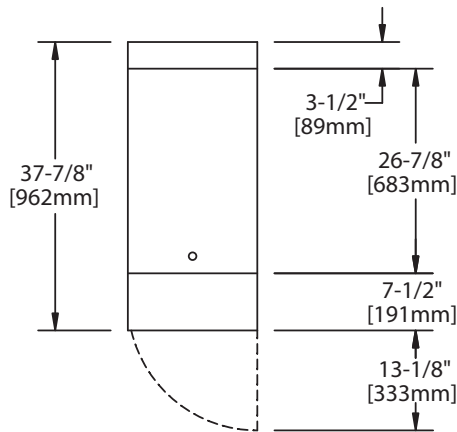
Product	Width: In(mm)	Depth: In(mm)	Height: In(mm) (w/ NSF Legs)	Height: In(mm) (w/o NSF Legs)	Storage Base Interior: in(mm)		
					Width	Depth	Height
M6S	17(432)	38(965)	36-3/8(924)	30-3/8(772)	14(356)	32-1/2(826)	20-1/2(519)
M6T	17(432)	38(965)	36-3/8(924) w/stand	9-1/2 (241) w/o stand*	N/A	N/A	N/A

\*Modular top has 1-1/2" seating flanges.

INPUT-BTU/hr (Natural Gas)	M6S	M6T
<b>Top Sections</b>	30,000 (8.79kW)	30,000 (8.79kW)

S=Range w/Storage Base T=Modular Top

INSTALLATION NOTES			Shipping Wt: (Lb/Kg) – Cu Ft
Combustible Wall Clearances <sup>1</sup>	Entry Clearances	Operating Pressure	
Sides: 14" (356mm) Back: 6" (152mm)	Crated: 22 1/4" (565mm) Uncrated: 17-1/4" (438mm)	Natural: 6" WC (15mbar) Propane: 10" WC (25mbar)	M6S 240/109 – 26 M6T 145/66 – 9



<sup>1</sup>NOTE: Installation clearance reductions are applicable only where local codes permit.

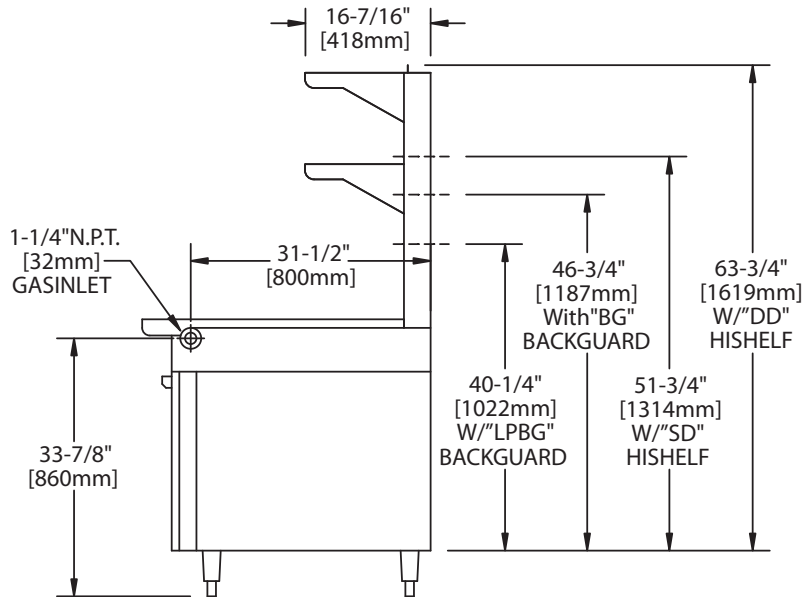
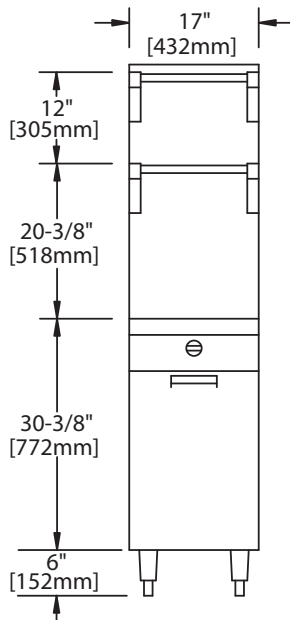
Data applies only to North America

Gas input ratings shown here are for installations up to 2,000 ft. (610m) above sea level. Specify altitudes over 2,000 ft.

Please specify gas type when ordering.

Garland/U.S. Range products are not approved or authorized for home or residential use, but are intended for commercial applications only.

Garland / U.S. Range will not provide service, warranty, maintenance or support of any kind other than in commercial applications



Form# M6 (04/09/13)