



# Master Series Heavy Duty Griddle Top Range

Item: \_\_\_\_\_  
 Quantity: \_\_\_\_\_  
 Project: \_\_\_\_\_  
 Approval: \_\_\_\_\_  
 Date: \_\_\_\_\_

Master Series Heavy Duty Griddle Top Range

## Models:

- MST47R   
  MST47S   
  MST47T   
  MST47R-E   
  MST47S-E   
  MST47T-E

### Valve Controlled Griddle Top Range



*Model MST47R  
(valve control panel not as depicted)*

### Standard Features:

- Stainless steel front and sides
- 6" (152mm) chrome steel adj. legs
- 7-1/2" (191mm) stainless steel front rail
- 1" (25mm) thick steel griddle plate
- 2-5/16" (591mm) high welded steel splash guard, sides and back
- Clip-on stainless steel backsplash
- Removable front-mounted stainless steel grease receptacle
- Hi-Lo valve control for each griddle burner
- Three "H" griddle burners 90,000 BTU (26.35 kW)
- Piezo spark ignition for all pilots
- Fully porcelainized oven interior
- Storage base models with aluminized steel interiors, (Suffix S/S-E)
- Modular Top section (Suffix T/T-E)
- 40,000 BTU (11.72kW) natural gas, 35,000 (10.25 kW) propane gas cast iron oven burner
- Electric Spark ignition on all pilots Suffix -E models
- Sentry total flame failure protection for all burners

- Stainless steel common front rail up to 102" (2591mm) wide (two or more units in a battery)
- Fully grooved griddle (or grooved sections)
- Convection oven base, add C to Model No., e.g. MST47RC
- Additional oven rack
- Gas shut off valve; 3/4", 1" or 1-1/4" NPT
- Gas flex hose & quick disconnect (3/4", 1" or 1-1/4" NPT x 5") w/restraining device, please specify
- Rear gas connection; 3/4" or 1" NPT
- Polyurethane non-marking swivel casters (4) w/front brakes
- 6" (152mm) stainless steel adj. legs
- Toe base (not for use with "RC" oven)
- Storage base shelf of aluminized or stainless steel
- Stainless steel tubular high shelf, single or double deck
- Stainless steel backguard: 10" (354mm), 17" (432mm) or 33" (838mm)
- 230 volt, 50 cycle components, RC motor and/or electric ignition (export)
- Celsius dial for oven thermostat, NC

### Optional Features:

- Stainless steel oven interior
- Stainless steel main back

## Specifications:

Heavy-duty gas range with oven, Model MST47R. One 34" (864mm) wide, valve-controlled griddle. 1" (25mm) thick, 90,000 BTU (26.35 kW) total. 34" (864mm) wide x 38" (965mm) deep, including 7-1/2" (191mm) deep stainless steel front rail. Sentry total flame failure protection for all burners. Porcelain enamel oven interior measuring 26-1/4" (667mm) wide x 13-1/2" (343mm) high x 29" (737mm) deep. 40,000 BTU (11.72 kW) cast iron burner. Stainless steel front and sides. 130,000 BTU (38.07 kW) total, natural gas. Also Available with storage base(s) w/doors, suffix S, and Modular top, suffix T.



NOTE: Ranges supplied with casters must be installed with an approved restraining device.



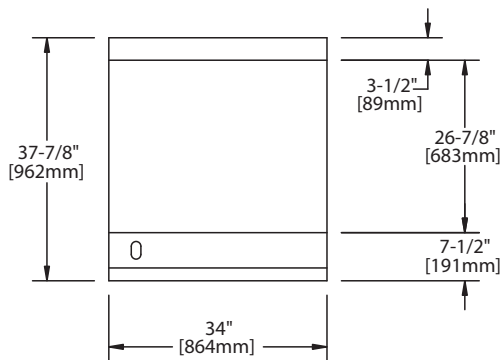
Product	Width: In(mm)	Depth: In(mm)	Height: In(mm) (w/ NSF Legs)	Height: In(mm) (w/o NSF Legs)	Oven/Storage Base Interior: in(mm)		
					Width	Depth	Height
<b>MST47R</b>	34(864)	38(965)	36-3/8(924)	30-3/8(772)	26-1/4(667)	29(737)**	13-1/2(343)
<b>MST47S</b>	34(864)	38(965)	36-3/8(924)	36-3/8(924)	26(665)	30-1/2(773)	20-1/2(519)
<b>MST47T</b>	34(864)	38(965)	36-3/8(924) w/stand	9-1/2 (241) w/o stand*	N/A	N/A	N/A

\*Modular top has 1-1/2" seating flanges. \*\*RC oven is 25" (635mm) deep.

INPUT-BTU/hr (Natural Gas)	MST47R/RC(-E)	MST47S/T(-E)
<b>Top Section</b>	90,000 (26.35kW)	90,000 (26.35kW)
<b>Oven***</b>	40,000 (11.72kW)	N/A
<b>TOTAL</b>	130,000 (38.07kW)	90,000 (26.35kW)

RC=Range w/Convection Oven R=Range w/Oven S=Range w/Storage Base T=Modular Top  
 \*\*\* Oven rated 35,000BTU (10.25kW) for Propane Gas

INSTALLATION NOTES			Shipping Wt: (Lb/Kg) <sup>2</sup>
Combustible Wall Clearances <sup>1</sup>	Entry Clearances	Operating Pressure	
Sides: 14" (356mm) Back: 6" (152mm)	Crated: 39-1/4" (997mm) Uncrated: 34-1/4" (870mm)	Natural: 6" WC (15mbar) Propane: 10" WC (25mbar)	MST47R 600/273 MST47S 500/227 MST47T 410/186

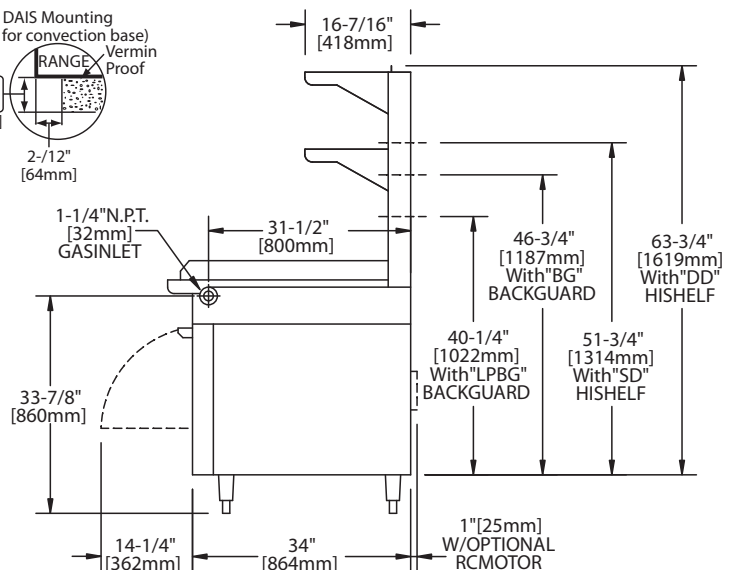
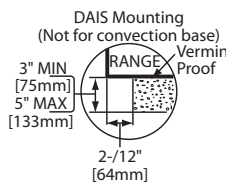
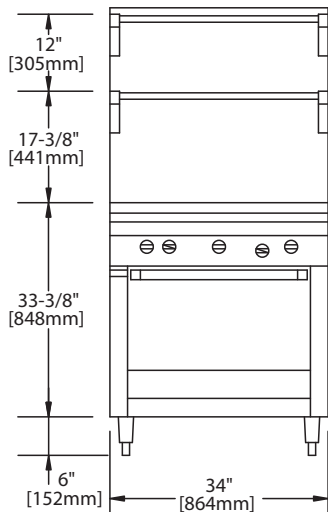


<sup>1</sup>NOTE: Installation clearance reductions are applicable only where local codes permit.

<sup>2</sup>Shipping Cubic Feet 50 for R & S Models, 20 for T models

Gas input ratings shown here are for installations up to 2,000 ft. (610m) above sea level. Specify altitudes over 2,000 ft.

Electrical characteristics each RC oven: 1/3 HP motor, 120 VAC, single phase, 3.4 amps, 6 ft. (1.8m) power supply cord provided. 230 VAC export is direct connect, single phase, 50 Hz. Please specify gas type when ordering.



Form# MST47 (05/27/13)