



Induction Green Heat

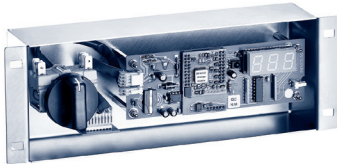
Garland Induction Built-in Griddle 3.5kW and 5.0kW

Item: _____
 Quantity: _____
 Project: _____
 Approval: _____
 Date: _____

Induction Green Heat
 Garland Induction Built-in Griddle 3.5kW and 5.0kW

Models:

- GI-SH/GR/IN 3500 GI-SH/GR/IN 5000



Induction Benefits:

- Energy Efficient
- Fast Startups
- Excellent Recovery
- Uniform Temperature
- Precise Cooking
- Easy To Clean
- Cool Operations

Standard Features:

- Drop-in, flush mounted design with stainless steel body below counter and with durable grill plate surface. Plate construction is a low friction, abrasion, chemical, corrosion and heat resistant.
- Compact high power induction griddles available in either 3.5 kW or 5.0 kW
- Instant energy transmission from inverter coil to griddle plate surface for excellent temperature recovery; heat up time, 68° to 392°F (20° to 200°C), 4 1/2 minutes for 3.5kW, 3 1/2 minutes for 5.0kW
- Equal heat distribution for corner to corner, with consistent results across the entire cooking surface. Surface is controlled and monitored, resulting in automatic adjustment as soon as a temperature deviation is detected
- Stainless Steel cabinet construction
- Removable, reusable intake filter
- Removable stainless steel griddle plate splashguard
- Easy access front grease trough
- 6' (1829mm) cord and plug supplied
- Integral cooling fan keeps electronics cool, discharging from bottom. Cabinet should allow hot air to exhaust from the top rear.
- Innovated new technology for temperature differential sensing; RTCSmp is an internal control software development matching speed, capability and performance.
 - R – Real Time
 - T – Temperature
 - C – Control
 - S – System
 - m – Multi
 - p – Point
- Built-Air-In-Take-Kit (part number 95000021) includes:
 - Aluminum Spiroflex air duct, 5m
 - Grease filter
 - Mounting Kit
- Grease drawer not provided and is custom built

Specifications:

Shall be a Garland Induction Built-in Griddle, unit model GI-SH/GR/IN 3500 with a total kW rating of 3.5 kW or model GI-SH/GR/IN 5000 with a total kW rating of 5.0 kW. Built with a durable easy to clean stainless steel exterior and a griddle plate, manufactured with a fine match of mechanical, chemical and electrolytic surface coatings. Rotary dial thermostat control with LED read out 69°-450°F (20°-230°C). Unit comes in 208V (specify at time of order) supplied with integral cord and plug for North America, other voltages available.



Intertek



Intertek



CE models comply with the latest European Norms: EN 60335-1, EN 60335-2-36, EN 62233 (EMC/EMV)

North American models:
 ETL listed in compliance with
 UL 197, CSA C22.2 No.109, NSF-4
 Complies with FCC part 18, ICES-001

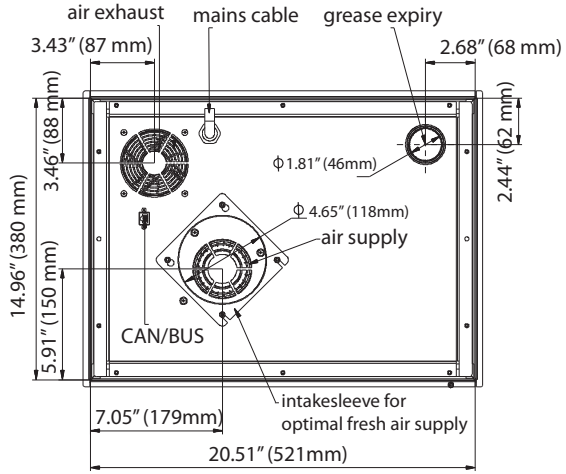
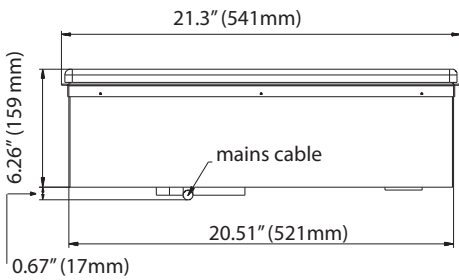
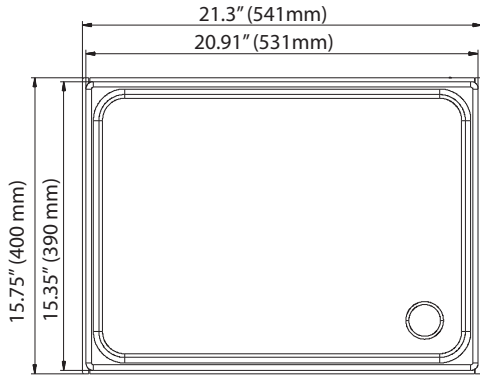
Garland Commercial Ranges Ltd.
 1177 Kamato Road,
 Mississauga, Ontario
 L4W 1X4 CANADA

General Inquiries 1-905-624-0260
 USA Sales, Parts and Service 1-800-424-2411
 Canadian Sales 1-888-442-7526
 Canada or USA Parts/Service 1-800-427-6668



RTCSmp Built-In Griddle SH/GR/IN 3500 and 5000 General Overview Measurements

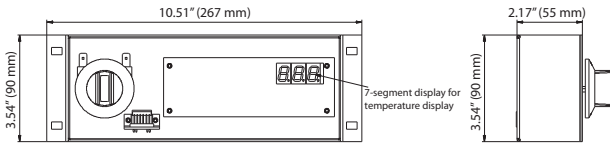
(Refer to installation/owners manual for detail installation instructions)



Garland/U.S. Range products are not approved or authorized for home or residential use, but are intended for commercial applications only. Garland/ U.S. Range will not provide service, warranty, maintenance or support of any kind other than in commercial applications.

Griddle Control Box Section

(Refer to installation/owners manual for detail installation instructions)



Electrical Loading				
Model	Watts	208/60/1	230/50/1	
GI-SH/GR/IN 3500	3500	17 amp	15 amp	

Electrical Loading				
Model	Watts	208/60/3	400/50/3	
GI-SH/GR/IN 5000	5000	14 amp	8 amp	

Plug Configurations		
Model	Electrical Characteristics	Plug
GI-SH/GR/IN 3500	208V/60Hz/1Ø	NEMA 6-20P
	230V/50Hz/1Ø	EU1-16P
GI-SH/GR/IN 5000	208V/60Hz/3Ø	NEMA 15-20P
		NEMA L15-20P
	400V/50Hz/3Ø	EU 5-Pole

Form# GI-SH/GR/IN 3500/5000 (12/19/13)