



Project Name: _____ AIA#: _____ Model #: _____

Location: _____ SIS#: _____ Item #: _____ Quantity: _____

Chefmate™ Gas Hot Plates



C24HT

Models

- C12HT - 12" - 2 Burner Gas Hot Plate
- C24HT - 24" - 4 Burner Gas Hot Plate



Quality Construction

- Available in 12" (2-burner) and 24" (4-burner) widths
- Stainless steel construction and extended cool-to-touch front edge
- Heavy-duty cast iron grates for maximum heat distribution

Standard Features

- High performance 25,000 BTUs per burner
- Adjustable pilots with front access
- Stainless steel legs with adjustable non-skid feet
- Unit ships Natural Gas with LP conversion kit included

Warranty

- One-year parts and labor

Standard Accessories

- Stainless Steel Full-Length Catch Tray
- LP Conversion Kit
- Regulator

GLOBE FOOD EQUIPMENT COMPANY

Chefmate™ Gas Hot Plates

C12HT / C24HT



GLOBE FOOD EQUIPMENT COMPANY
2153 Dryden Rd., Dayton, OH 45439
Phone: 937-299-5493 Fax: 937-299-4147
800-347-5423

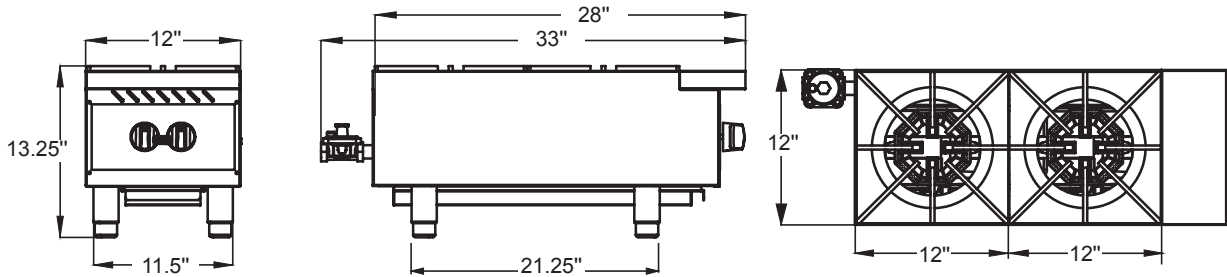
www.globeslicers.com

Approved By: _____

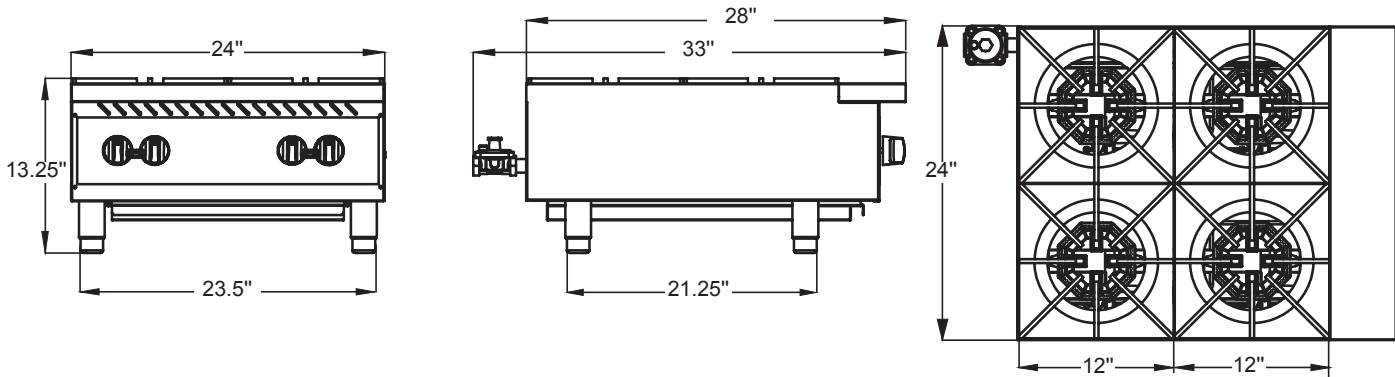
Date: _____



C12HT



C24HT



For Indoor Use Only

SPECIFICATIONS

GAS REQUIREMENTS:

- Natural Gas or Liquid Propane Gas main supply required.
- All units ship Natural Gas ready. Liquid Propane conversion kit is included for kitchens equipped with this gas type. Conversion of your unit from Natural Gas to LP must be completed by an authorized Globe servicer.
- 3/4" standard pipe size I.D. connection.
- 25,000 BTUs per burner. One pilot per burner.

Model	Controls	Number of Burners	Cooking Area Per Burner	BTUs (per burner)	Total BTUs
C12HT	Manual	2	12" x 12"	25,000	50,000
C24HT	Manual	4	12" x 12"	25,000	100,000

STANDARD FEATURES:

- All stainless steel construction
- LP conversion kit
- Regulator
- Full-width catch tray
- 25,000 BTUs per burner.
- Heavy-duty stainless steel radiants
- Adjustable pilots with front access

DIMENSIONS & SHIPPING INFORMATION

Freight Class 85

Carton reinforced for shipping. The weight and dimensions of reinforced carton are included below and may vary from shipment to shipment. *These items are shipped on a pallet.*

Model	Foot Print	Overall Dimensions	Net Weight	Shipping Dimensions	Shipping Weight
C12HT	21.25" L x 11.5" W (54 cm x 29.2 cm)	33" L x 12" W x 13.25" H (84 cm x 30.5 cm x 33.7 cm)	60 lbs (27 kg)	34" L x 17" W x 17" H (87 cm x 43 cm x 44 cm)	77 lbs (35 kg)
C24HT	21.25" L x 23.5" W (54 cm x 60 cm)	33" L x 24" W x 13.25" H (84 cm x 61 cm x 33.7 cm)	115 lbs (52 kg)	34" L x 29" W x 17" H (87 cm x 73 cm x 44 cm)	148 lbs (67 kg)



GLOBE FOOD EQUIPMENT COMPANY

www.globeslicers.com

2153 Dryden Rd.
Dayton, OH 45439
Phone: 937-299-5493
Phone: 800-347-5423
Fax: 937-299-4147