

Project

Item #

Quantity



CPSKB1



Soup Warmer

Chefmate® Countertop Equipment

Model

- CPSKB1 Countertop Soup Warmer



GLOBE FOOD EQUIPMENT COMPANY

Soup Warmer

CPSKB1

Standard Features

- Removable, stainless steel soup pot - 10 quart capacity
- Thermostatically controlled with 12 temperature settings
- 400 watts, 120V for warming
- Over-heat protection with manual reset
- Attached, stainless steel, hinged lid
- Stable round base with rubber feet
- Steel, black powder-coated body with aluminum lining
- Includes food labels
- Attached 4½-foot power cord and plug

Applications

- Soup and light sauce-type products in buffets, serving stations, prep areas, etc.
- Prepare product on range top and use soup kettle for serving and merchandising
- Increase your menu selection/sales by adding soup
- “Plug in and serve”

Warranty

- One-year parts and labor

Approved By: _____

Date: _____



GLOBE FOOD EQUIPMENT COMPANY

www.globeslicers.com

2153 Dryden Rd.
Dayton, OH 45439
Phone: 937-299-5493
Phone: 800-347-5423
Fax: 937-299-4147



Soup Warmer

CPSKB1

For Indoor Use Only

Electrical: Attached cord 4½-foot flexible, three-wire cord with ground plug (NEMA 5-15P).

CPSKB1 - 120V, 400W, 3.5 amps

Standard Equipment: Standard equipment includes black powder-coated kettle with removable stainless steel pot, attached, hinged stainless steel lid and 12 temperature settings with overload protection.

Cookware

Suitable cookware includes :

Stainless steel pot only. Do not use other inserts, pots or pans in this unit.

Specifications

Capacity: 10 quarts

Multi Function Settings:

Heat: This function holds constant wattage for maintaining food, warm/hot, at a controlled temperature, 12 levels.

Thermostatically Controlled

(12) Temperatures: This function controls cookware to a precise temperature for cooking, 12 different temperatures. This equipment is a warmer only, not a cooker.

DO NOT operate warmer without at least 2.5 cups of water in warming base.

Dimensions CPSKB1:

Foot Print = 13.1" x 14.2"

(33.3 cm x 36.1 cm)

Overall Length = 13.1" (33.3 cm)

Overall Width = 12.4" (31.5 cm)

Overall Height = 14.2" (36.1 cm)

Diameter = 13.1" (33.3 cm) round

Shipping Information:

Net Weight: 10 lbs (4.5 kg)

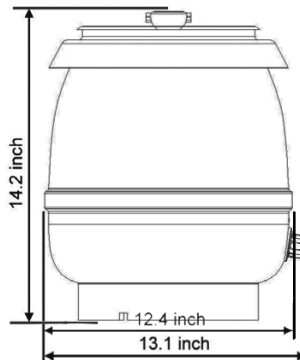
Shipping Weight: 13.5 lbs (6.2 kg)

Shipping Dimensions:

14"W x 16.4"D x 14.5"H

(35.5 cm x 41.5 cm x 35.5 cm)

Cartons are reinforced for shipping. The weight and dimensions of this reinforced carton are included above and may vary from shipment to shipment.



Plug Type - NEMA 5-15



GLOBE FOOD EQUIPMENT COMPANY

www.globeslicers.com

2153 Dryden Rd.
Dayton, OH 45439
Phone: 937-299-5493
Phone: 800-347-5423
Fax: 937-299-4147

Printed in U.S.A. 2-2011

Specifications are subject to change without notice.