



Project Name: _____ AIA#: _____ Model #: _____

Location: _____ SIS#: _____ Item #: _____ Quantity: _____

Gas Countertop Charbroilers

Globe Countertop GAS Equipment

Models

Radiant Heat Charbroilers

Stainless Steel Radiants

- GCB15G-SR GCB36G-SR
- GCB24G-SR GCB48G-SR

Cast Iron Radiants

- GCB15G-CR GCB36G-CR
- GCB24G-CR GCB48G-CR

Char Rock Charbroilers

- GCB15G-RK GCB36G-RK
- GCB24G-RK GCB48G-RK



GCB24G-RK



Conforms to ANSI
STD Z83.11b -2009
Certified to CSA
STD 1.8b -2009

Radiant or Char Rock heating available in 15", 24", 36", 48" widths

Quality Construction

- Stainless steel, double wall construction front, sides and back, and extended cool-to-touch front edge
- Heavy duty, reversible cast iron grates with drip flavor edge
- Heavy duty cast iron char rock grid standard on char rock models
- Radiant covers available in stainless steel or heavy duty cast iron on radiant charbroiler models
- Adjustable 4" stainless steel legs

Standard Features

- High performance 40,000 BTU per burner
- Stainless steel U-style burners provide flame every 6"
- Individual adjustable pilot for each burner with easy front panel access
- Versatile grate position, angled or flat
- Field convertible to radiant, char rock, or combination
- Unit ships Natural Gas with LP conversion kit included

Standard Accessories

- LP Conversion Kit

Optional Attachments/Accessories

Replacement radiant and rock kits are available. Contact Globe for these items.

Warranty

- Two-year parts and labor

Approved By: _____

Date: _____

GLOBE FOOD EQUIPMENT COMPANY

Gas Countertop 15", 24", 36" & 48" Charbroilers



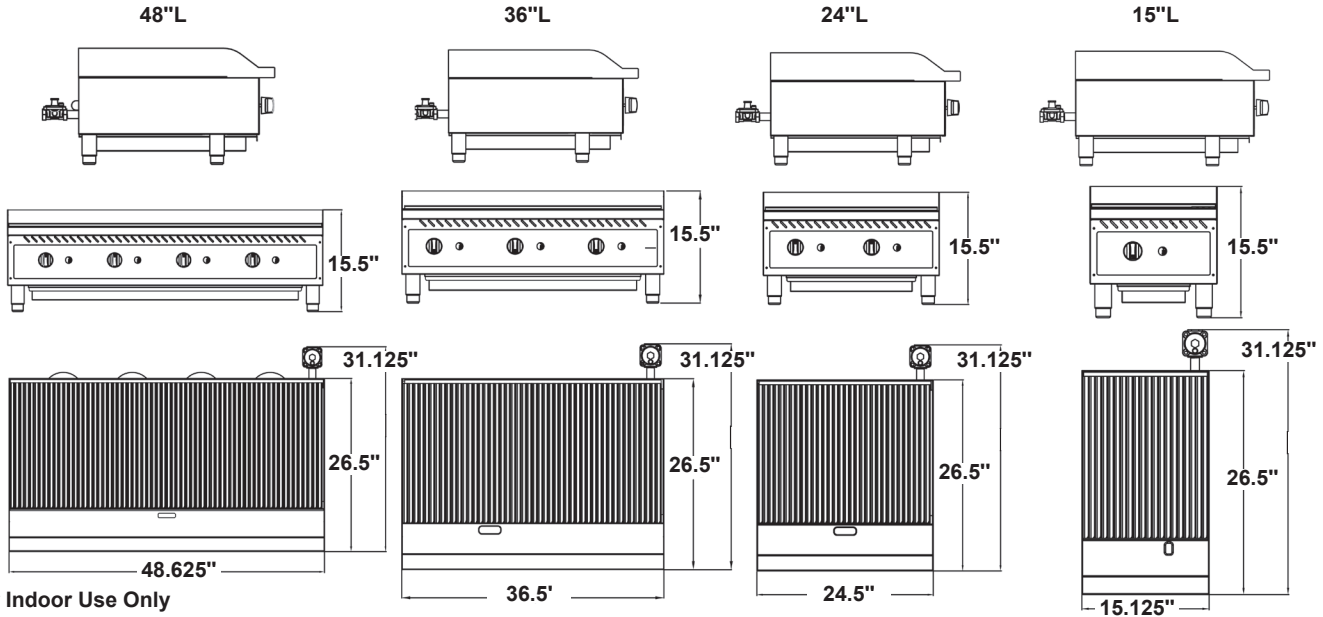
GLOBE FOOD EQUIPMENT COMPANY

www.globeslicers.com

2153 Dryden Rd.
Dayton, OH 45439
Phone: 937-299-5493
Phone: 800-347-5423
Fax: 937-299-4147



Gas Countertop 15", 24", 36" & 48" Charbroilers



For Indoor Use Only

STANDARD FEATURES:

- All stainless steel construction
- Cast iron cooking racks
- LP conversion kit
- Regulator
- Full-width catch tray

- 40,000 BTUs per burner. (One U-style burner) provides flame every 6"
- Heavy-duty cast iron grates with adjustable pilots and front access
- Backsplash 2" to 4" H - varied, depending on grate position.

OPTIONS:

Radiant Heat

Stainless steel burner covers (-SR)
Cast iron burner covers (-CR)

Char Rock

Char rock cast iron grids (-RK)

Note: Radiant heat charbroilers come standard with stainless steel radiant burner covers for heating. Cast iron radiant burner covers keep heat in longer and are stronger than the standard stainless steel radiants.

SPECIFICATIONS

GAS REQUIREMENTS & INFORMATION:

- Natural Gas or Liquid Propane Gas main supply required.
- All units ship Natural Gas ready. Liquid Propane conversion kit is included for kitchens equipped with this gas type. Conversion of your unit from Natural Gas to LP must be completed by an authorized Globe servicer.
- 3/4" standard pipe size I.D. connection.

Size/ Length	# U-Style Burners	Total BTUs	Cooking Area	Foot Print
15"	1	40,000	15" x 20"	19" D x 10.75" W (48 cm x 47 cm)
24"	2	80,000	24" x 20"	19" D x 22.75" W (48 cm x 58 cm)
36"	3	120,000	36" x 20"	19" D x 35.75" W (48 cm x 91 cm)
48"	4	160,000	48" x 20"	19" D x 46.75" W (48 cm x 118 cm)

DIMENSIONS & SHIPPING INFORMATION

Cartons are reinforced for shipping. The weight and dimensions of this reinforced carton are included below and may vary from shipment to shipment.

These items are shipped on a pallet.

Freight Class **85**

Size (Length)	Stainless Steel Radiants (-SR)		Cast Iron Radiants (-CR)		Char Rock with Cast Iron Grids (-RK)		Overall Dimensions	Shipping Dimensions
	Net Weight	Shipping Weight	Net Weight	Shipping Weight	Net Weight	Shipping Weight		
15"	88 lbs. (40 kg)	95 lbs. (43 kg)	93 lbs. (42 kg)	105 lbs. (48 kg)	95 lbs. (43 kg)	101 lbs. (46 kg)	15" W x 29" D x 16" H (38 cm x 74 cm x 41 cm)	18" W x 32" D x 15" H (46 cm x 81 cm x 38 cm)
24"	108 lbs. (49 kg)	143 lbs. (65 kg)	115 lbs. (52 kg)	160 lbs. (73 kg)	117 lbs. (53 kg)	153 lbs. (69 kg)	25" W x 29" D x 16" H (64 cm x 74 cm x 41 cm)	28" W x 32" D x 20" H (71 cm x 81 cm x 51 cm)
36"	165 lbs. (75 kg)	209 lbs. (95 kg)	179 lbs. (81 kg)	229 lbs. (104 kg)	176 lbs. (80 kg)	220 lbs. (100 kg)	37" W x 29" D x 16" H (94 cm x 74 cm x 41 cm)	40" W x 32" D x 20" H (102 cm x 81 cm x 51 cm)
48"	214 lbs. (97 kg)	269 lbs. (122 kg)	250 lbs. (113 kg)	300 lbs. (136 kg)	227 lbs. (103 kg)	282 lbs. (128 kg)	49" W x 29" D x 16" H (125 cm x 74 cm x 41 cm)	52" W x 32" D x 20" H (132 cm x 81 cm x 51 cm)



GLOBE FOOD EQUIPMENT COMPANY

www.globeslicers.com

2153 Dryden Rd.
Dayton, OH 45439
Phone: 937-299-5493
Phone: 800-347-5423
Fax: 937-299-4147