



Project Name: \_\_\_\_\_ AIA#: \_\_\_\_\_ Model #: \_\_\_\_\_  
 Location: \_\_\_\_\_ SIS#: \_\_\_\_\_ Item #: \_\_\_\_\_ Quantity: \_\_\_\_\_

# Gas Countertop Griddles

*Globe Countertop GAS Equipment*

GLOBE FOOD EQUIPMENT COMPANY

Gas Countertop Griddles 15", 24", 36" & 48"



**GG36G**

### Models

#### Manual Control Countertop Griddles

- GG15G                       GG36G
- GG24G                      GG48G

#### Thermostat Control Countertop Griddles

- GG15TG                     GG36TG
- GG24TG                     GG48TG



Manual or Thermostatic controls in  
15", 24", 36", 48" widths

### Quality Construction

- 3/4" highly polished steel griddle plate fully welded to stainless steel frame, 20" deep
- Stainless steel, double wall construction front, sides and back, and extended cool-to-touch front edge
- Removable, easy-to-clean, stainless steel catch tray
- Adjustable 4" stainless steel legs

### Standard Features

- High performance 30,000 BTU per burner
- Electronic ignition on thermostatic griddles
- Stainless steel U-style burners provide flame every 6"
- Individual adjustable pilot for each burner with easy front panel access
- Temperature range on the thermostatic griddle, 200°F-575°F
- Spatula wide 4" trough
- Unit ships Natural Gas with LP conversion kit included

### Standard Accessories

- Stainless Steel Catch Tray
- LP Conversion Kit

### Warranty

- Two-year parts and labor



**GLOBE FOOD EQUIPMENT COMPANY**  
 2153 Dryden Rd., Dayton, OH 45439  
 Phone: 937-299-5493 Fax: 937-299-4147  
 800-347-5423

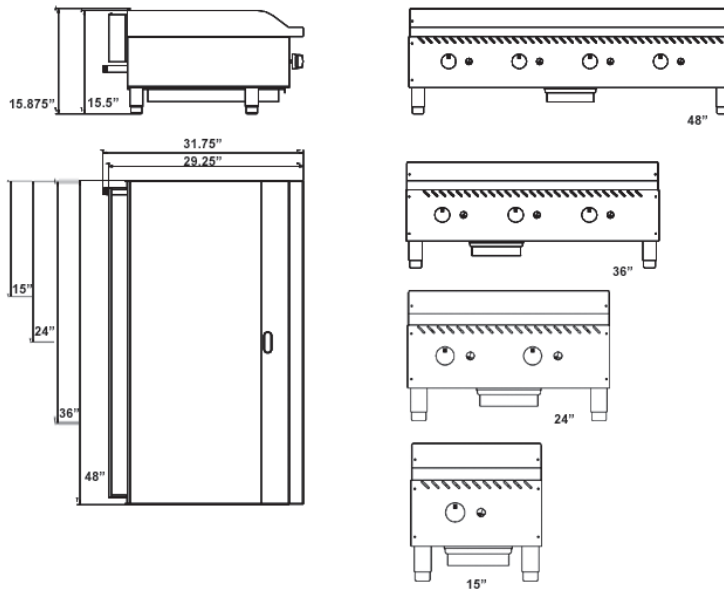
[www.globeslicers.com](http://www.globeslicers.com)

Approved By: \_\_\_\_\_

Date: \_\_\_\_\_



# Gas Countertop 15", 24", 36" & 48" Griddles



For Indoor Use Only

## SPECIFICATIONS

### GAS REQUIREMENTS & INFORMATION:

- Natural Gas or Liquid Propane Gas main supply required.
- All units ship Natural Gas ready. Liquid Propane conversion kit is included

for kitchens equipped with this gas type. Conversion of your unit from Natural Gas to LP must be completed by an authorized Globe servicer.

- 3/4" standard pipe size I.D. connection.

Model	Cooking Area	Number of Burners	BTUs (per burner)	Total BTUs
GG15G / GG15TG	15" x 20"	1	30,000	30,000
GG24G / GG24TG	24" x 20"	2	30,000	60,000
GG36G / GG36TG	36" x 20"	3	30,000	90,000
GG48G / GG48TG	48" x 20"	4	30,000	120,000

### STANDARD FEATURES:

- All stainless steel construction
- 3/4" Highly polished steel griddle plate
- 3.5" backsplash
- LP conversion kit
- Regulator
- Catch tray

## DIMENSIONS & SHIPPING INFORMATION

Freight Class 85

Carton reinforced for shipping. The weight and dimensions of reinforced carton are included below and may vary from shipment to shipment. **These items are shipped on a pallet.**

Model	Foot Print	Overall Dimensions	Net Weight	Shipping Dimensions	Shipping Weight
GG15G/ GG15TG	19" D x 10.75" W (48 cm x 47 cm)	32" L x 15" W x 15.88" H (81 cm x 38 cm x 40 cm)	110 lbs (50 kg)	32" L x 18" W x 14" H (81 cm x 46 cm x 36 cm)	115 lbs (52 kg)
GG24G/ GG24TG	19" D x 22.75" W (48 cm x 58 cm)	32" L x 24" W x 15.88" H (81 cm x 61 cm x 40 cm)	163 lbs (74 kg)	32" L x 28" W x 19" H (81 cm x 71 cm x 48 cm)	194 lbs (88 kg)
GG36G/ GG36TG	19" D x 35.75" W (48 cm x 91 cm)	32" L x 36" W x 15.88" H (81 cm x 91 cm x 40 cm)	231 lbs (105 kg)	32" L x 40" W x 19" H (81 cm x 102 cm x 48 cm)	276 lbs (125 kg)
GG48G/ GG48TG	19" D x 46.75" W (48 cm x 118 cm)	32" L x 48" W x 15.88" H (81 cm x 122 cm x 40 cm)	287 lbs (130 kg)	32" L x 52" W x 19" H (81 cm x 132 cm x 48 cm)	342 lbs (155 kg)



**GLOBE FOOD EQUIPMENT COMPANY**

[www.globeslicers.com](http://www.globeslicers.com)

2153 Dryden Rd.  
Dayton, OH 45439  
Phone: 937-299-5493  
Phone: 800-347-5423  
Fax: 937-299-4147