



IB-38X24-CP10

Project: _____	AIA# _____
Item #: _____ Qty: _____	SIS# _____
Model #: _____	

## Pass Thru Ice Bins

IB-38X24, IB-38X24-CP10

### Standard Features

- All stainless steel construction
- ABS plastic breaker strip around ice bin liner: creates 5/16" raised edge around liner, acts as thermal barrier to prevent heat transfer, and makes the covers slide easier.
- Sliding stainless steel covers
- CFC Free foamed-in-place insulation
- Adjustable stainless steel bullet feet
- Available with ten circuit cold plate (add suffix '-CP10' to model number)
- Bartender and cocktail server access



### Specifications

*Drain*

- Non-cold plate model: 1-1/2" tailpiece
- Ten circuit cold plate models '-CP10': 3/4" MPT

*Cover*

- Three-piece sliding cover, 20 gauge stainless steel, included with all models

*Cold Plate*

- Available with ten circuit cold plate
- Connection is 5/16" O.D. stainless steel tubing with swaged end

*Liner Depth*

- 10-1/2" on non-cold plate and 2-circuit cold plate models
- see back for depth detail on 10-circuit cold plate models

*Ice Capacity*

- 175 lbs

*Legs*

- 1-5/8" diameter, 16 gauge stainless steel
- Stainless steel bullet feet

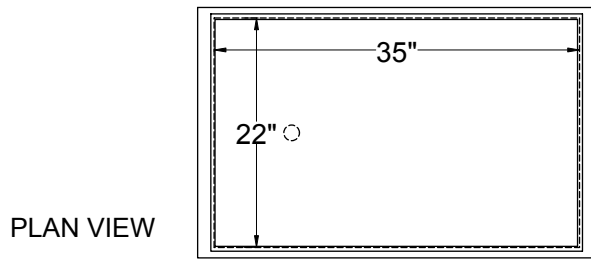
*Materials*

- 20 gauge stainless steel
- ABS plastic breaker strip around opening of ice bin liner

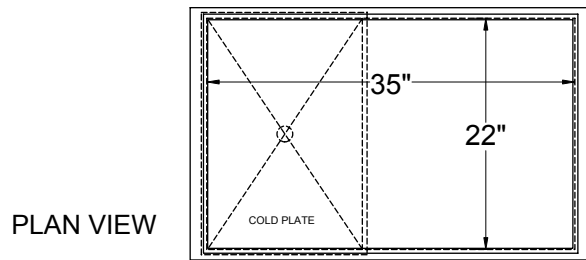
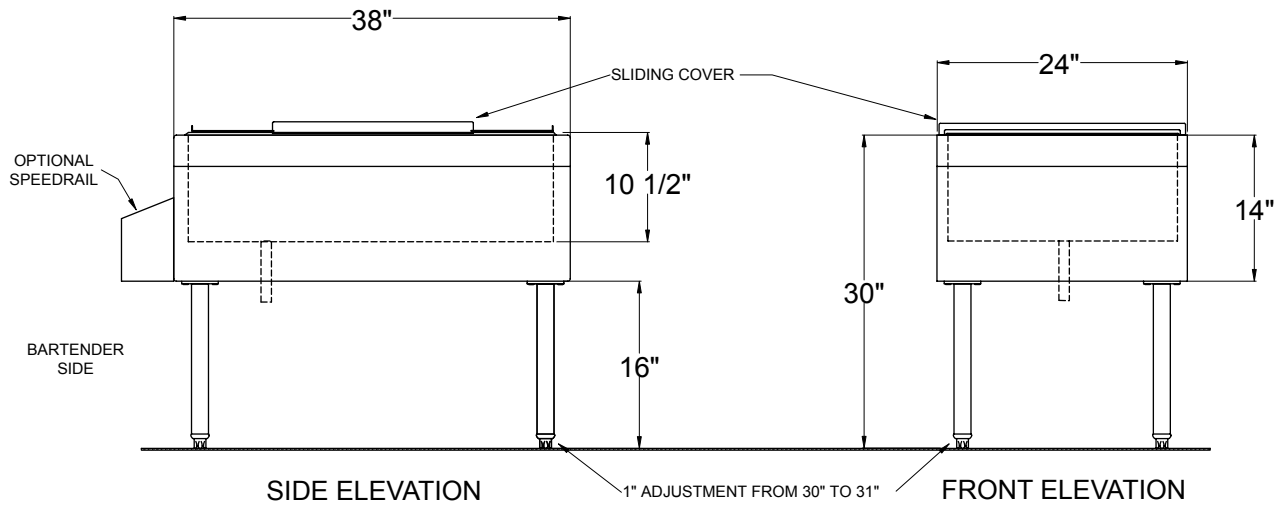
<b>Glastender, Inc.</b> • 5400 North Michigan Road • Saginaw, MI • 48604-9780 989.752.4275 • 800.748.0423 • Fax 989.752.4444 <a href="http://www.glastender.com">www.glastender.com</a>	Approval/Notes:
Specifications subject to change without notice. For current specifications please visit our website.	

# Pass Thru Ice Bins

## Dimensional Information



Model: IB-38X24



Model: IB-38X24-CP10

