

Project: _____	AIA# _____
Item #: _____ Qty: _____	SIS# _____
Model #: _____	



BB60-L1-XSH(LR)

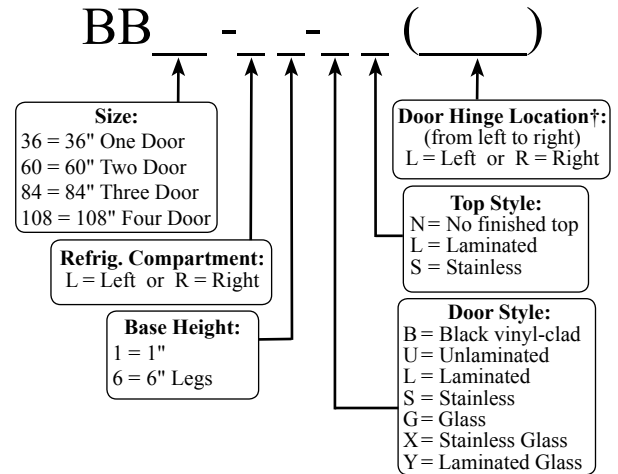


NSF standard 7 listed
for open food storage



Intertek
Conforms to ANSI/UL STD 471
Certified to CSA STD
C22.2 No. 120

Back Bar Coolers One, Two, Three and Four Door Self-Contained



† Specify hinge location for each door

Standard Features

- Solid door models meet 2008 energy efficiency standards
- Self-contained
- All stainless steel interior construction with radius interior corners for easy cleaning
- CFC free foamed-in-place insulation
- Galvanized steel sub-top
- Black vinyl-clad steel exterior front and sides
- Automatic defrost timer
- Stainless steel die cast handle
- Automatic condensate evaporator
- Leg sockets recessed into base
- 1/2" thick ABS plastic threshold scuff plate
- 180° swinging doors
- Six foot grounded cord and plug (exits at rear)
- Compressor compartment available on left or right side of unit

Specifications

Electrical

- 120V, 1 phase, 60 Hz
- Dedicated 15 amp circuit is required
- Includes a 6 foot grounded cord and plug which exits the back of refrigeration compartment

Refrigeration

- R134a

Operating Range

- 34°F (1°C) to 40°F (4°C)

Plumbing

- Automatic condensate evaporator. No drain connection required

Shelving

- Two adjustable coated shelves and one bottom coated rack per door included

Legs

- 1-5/8" diameter
- Stainless steel bullet feet

Materials

- 22 gauge stainless steel parts include: interior floor, walls, ceiling, front of cabinet, and evaporator housing
- 22 gauge black vinyl-clad parts include: sides, standard doors, and compressor compartment housing
- 22 gauge galvanized steel parts include: exterior sub-top and back
- 16 gauge stainless steel parts include: legs
- 16 gauge galvanized steel parts include: base and compressor compartment base plate
- 16 gauge zinc plated CR steel parts include: leg sockets
- 12 gauge stainless steel parts include: hinges, hinge brackets, and lock brackets

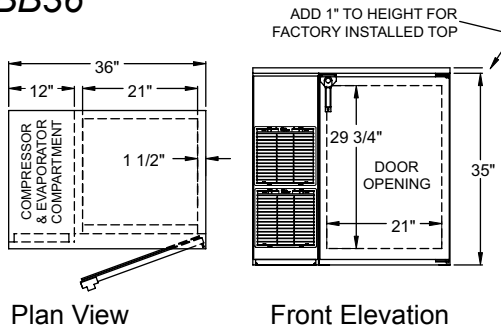
<p>Glastender, Inc. • 5400 N Michigan Rd • Saginaw, MI • 48604-9780 989.752.4275 • 800.748.0423 • Fax 989.752.4444 www.glastender.com</p>	<p>Approval/Notes:</p>
--	------------------------

Specifications subject to change without notice. For current specifications please visit our website.

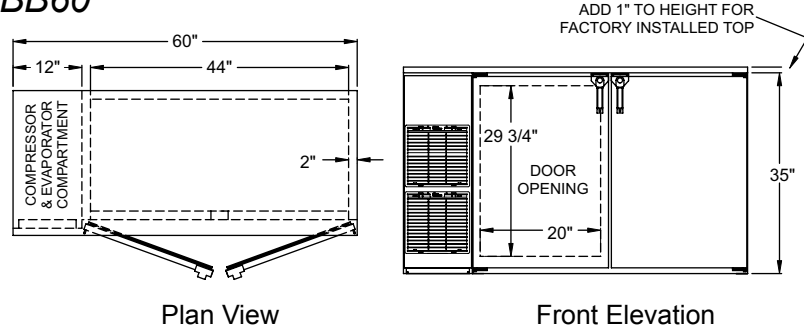
Self-Contained Back Bar Coolers

Dimensional Information

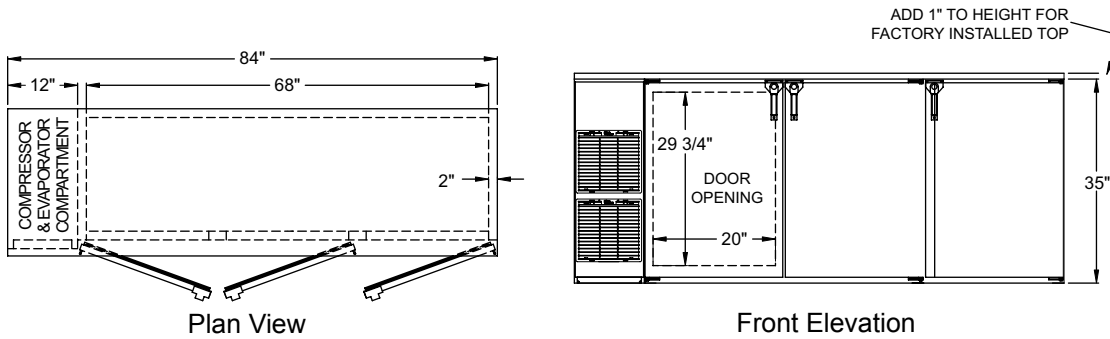
BB36



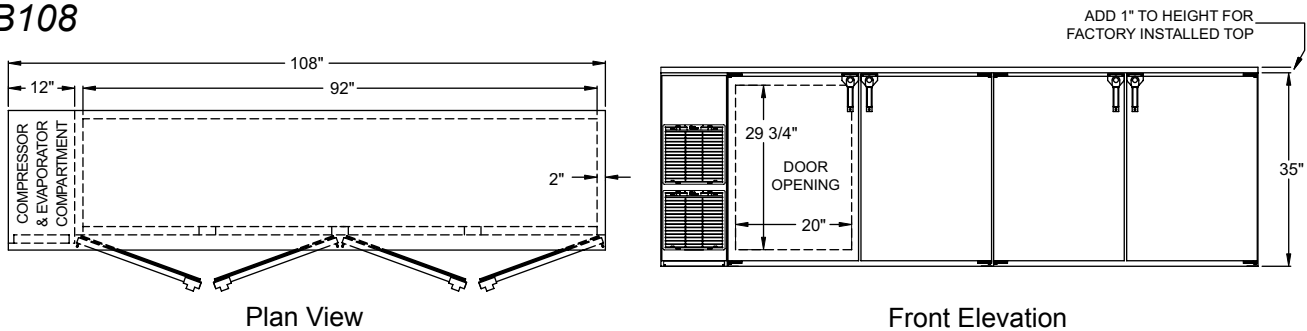
BB60



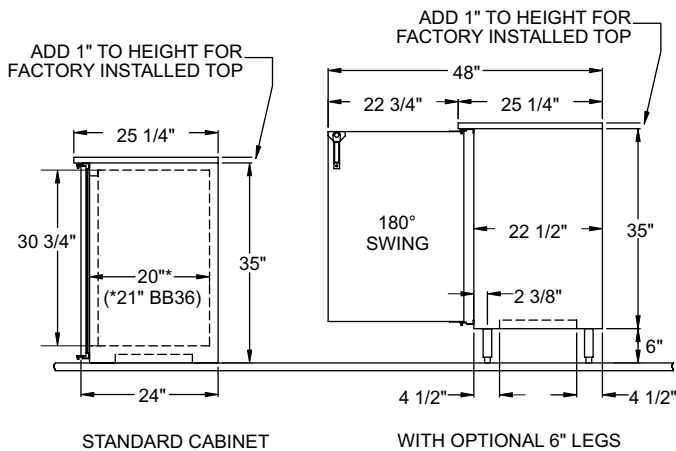
BB84



BB108



Side View All Models



Note: Available with compressor left or right. Compressor left model shown. Use Model Number Key to specify location when ordering.

Model	Capacity: 12 oz. bottle / 1/2 barrels/ 750ml wine bottles	Refrigeration	Voltage	Amps
BB36	7 cases / 1 half barrel/ 66 750ml wine bottles	1/6 H.P. / R134a	120v / 60 Hz / 1 phase	8.2 full load
BB60	15.2 cases / 2 half barrel/ 138 750ml wine bottles	1/4 H.P. / R134a	120v / 60 Hz / 1 phase	6.5 full load
BB84	23.7 cases / 4 half barrels/ 216 750ml wine bottles	1/4 H.P. / R134a	120v / 60 Hz / 1 phase	6.5 full load
BB108	32.2 cases / 5 half barrels/ 294 750ml wine bottles	1/4 H.P. / R134a	120v / 60 Hz / 1 phase	6.5 full load



5400 N Michigan Rd • Saginaw, MI • 48604-9780
989.752.4275 • 800.748.0423 • Fax 989.752.4444
www.glastender.com

Printed in USA