

Project: _____	AIA# _____
Item #: _____ Qty: _____	SIS# _____
Model #: _____	

24" Back Bar Cooler One Door Self-Contained



BB24-N1-GSN(L)



Intertek

Conforms to ANSI/UL STD 471
Certified to CSA STD
C22.2 No. 120

BB24-N - N()

Base Height:
1 = 1"
6 = 6" Legs

Door Hinge Location:
L = Left or R = Right

Door Style:
B = Black vinyl-clad
U = Unlaminated
L = Laminated
S = Stainless
G = Glass
X = Stainless Glass
Y = Laminated Glass

Top Style:
N = No finished top
L = Laminated
S = Stainless

Standard Features

- Self-contained
- All stainless steel interior construction
- CFC free foamed-in-place insulation
- Galvanized steel sub-top
- Black vinyl-clad steel exterior front and sides
- Six foot grounded cord and plug (exits at rear)
- Stainless steel die cast handle
- Automatic defrost timer
- Stainless steel evaporator housing with separate removable evaporator drain pan
- Automatic condensate evaporator
- Leg sockets recessed into base
- 1/2" thick ABS plastic threshold scuff plate
- 180° swinging doors

Specifications

Electrical

- 120V, 1 phase, 60 Hz, 3.6 full load amps
- Dedicated 15 amp circuit is required
- Includes a 6 foot grounded cord and plug which exits the bottom rear

Refrigeration

- 1/6 HP, R134a refrigerant

Operating Range

- 34°F (1°C) to 40°F (4°C)

Plumbing

- Automatic condensate evaporator. No drain connection required

Shelving

- Two adjustable coated shelves and one bottom coated rack included

Capacity

- 4.6 cases of long neck bottle beer

Legs

- 1-5/8" diameter
- Stainless steel bullet feet

Materials

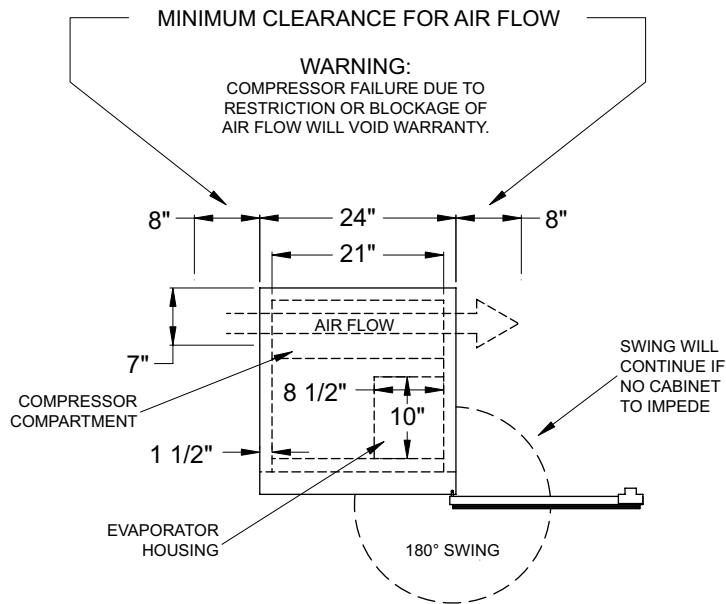
- 22 gauge stainless steel parts include: interior floor, walls, ceiling, front of cabinet, and evaporator housing
- 22 gauge black vinyl-clad parts include: sides, and standard door
- 22 gauge galvanized steel parts include: exterior sub-top and back
- 16 gauge stainless steel parts include: legs
- 16 gauge galvanized steel parts include: base
- 16 gauge zinc plated CR steel parts include: leg sockets
- 12 gauge stainless steel parts include: hinges, hinge brackets, and lock brackets

Glastender, Inc. • 5400 North Michigan Road • Saginaw, MI • 48604-9780 989.752.4275 • 800.748.0423 • Fax 989.752.4444 www.glastender.com	Approval/Notes:
Specifications subject to change without notice. For current specifications please visit our website.	

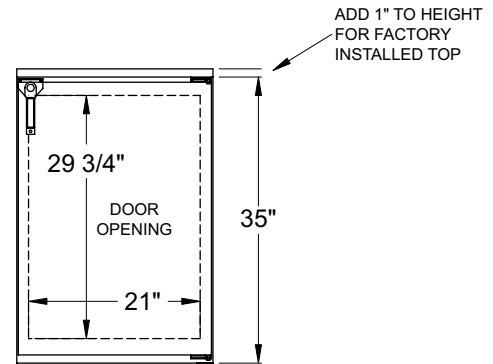
One Door Self-Contained Back Bar Cooler

Dimensional Information

PLAN VIEW



FRONT VIEW



SIDE VIEWS

