

Glastender®

Project: _____	AIA# _____
Item #: _____ Qty: _____	SIS# _____
Model #: _____	

Braumeister Ellipse Towers



BET-6-MF-SR

BET- - -

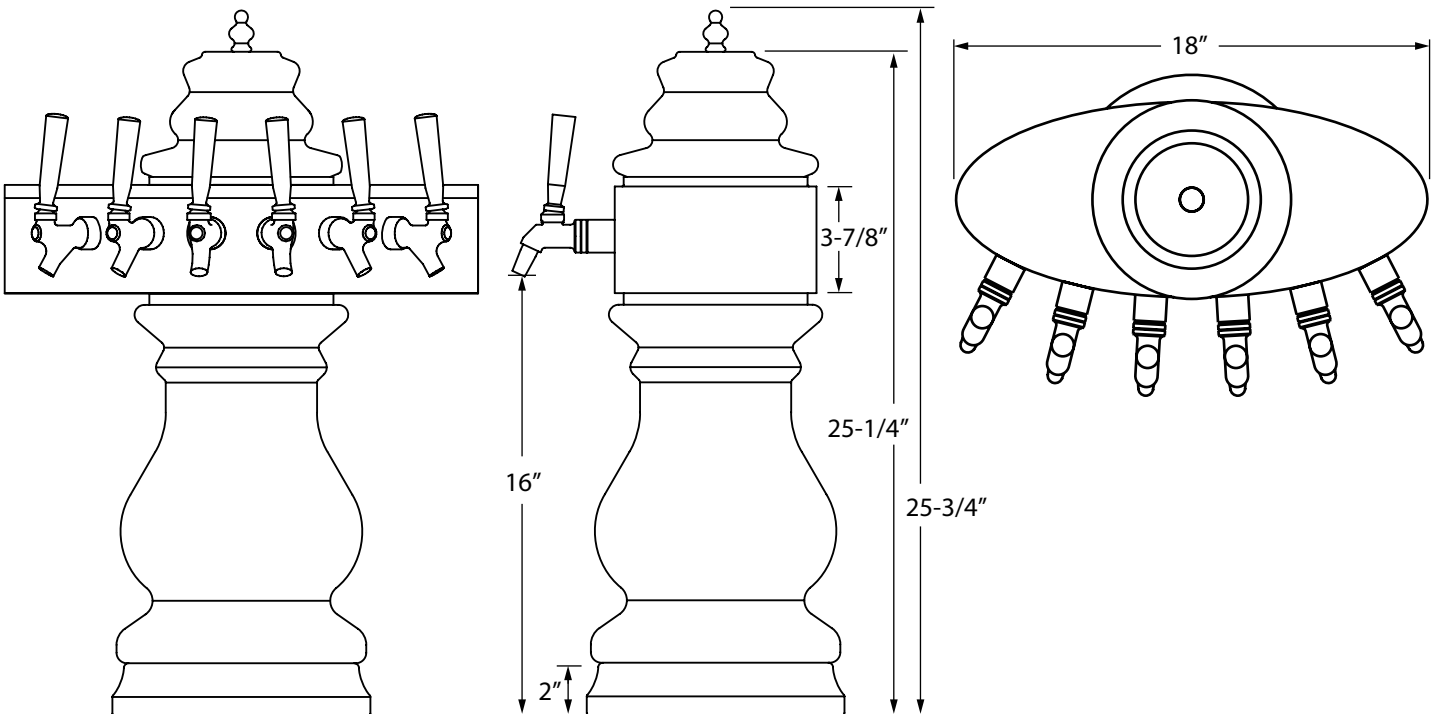
Size:
Specify the number of faucets from 5, 6, or 8

Hardware Finish:
MF = Mirror finish
PB = Polished brass

Ceramic Color:
CL = Clear (White)
AB = Antique Brass
BY = Bright Yellow
SR = Strawberry Red
MB = Midnight Blue
BG = Burgundy
EG = Emerald Green
HG = Hunter Green
BK = Black

Towers supplied with US style stainless steel faucets.
NOTE: Faucet handles not included.

Dimensional Information



<p>Glastender, Inc. • 5400 North Michigan Road • Saginaw, MI • 48604-9780 989.752.4275 • 800.748.0423 • Fax 989.752.4444 www.glastender.com</p>	<p>Approval/Notes:</p>
--	------------------------

Specifications subject to change without notice. For current specifications please visit our website.